

VALOR FIRES

INSTALLER AND OWNER GUIDE

Model 941

INSET LIVE FUEL EFFECT GAS FIRE

Fitted with one of the following fascia.

**Anthem, Blenheim, Bolero,
Camden, Minima, Prelude, Seattle,
Sonnet, Victorian or
Westminster** fascia

(GC No. 32-811-21)



We trust that this guide gives sufficient details to enable this appliance to be installed, operated and maintained satisfactorily. However, if further information is required, our **Valor Fires Technical Helpline** will be pleased to help.
Telephone **0844 8711 565** (National call rates apply in the United Kingdom).
In the Republic of Ireland
Telephone **0044 844 8711 565**.



BAXI • VALOR • WONDERFIRE

INSTALLER: Please leave this guide with the owner

THIS APPLIANCE IS FOR USE WITH NATURAL GAS (G20).

**WHEN CONVERTED USING CONVERSION KIT NO. 0595211 THIS APPLIANCE
IS FOR USE WITH PROPANE GAS (G31).**

**THIS APPLIANCE IS SUITABLE ONLY FOR INSTALLATION IN THE UNITED
KINGDOM (GB) AND THE REPUBLIC OF IRELAND (IE).**

© Baxi Heating U.K. Limited 2009.

All rights reserved. No part of this publication may be reproduced in any material form (including photocopying), stored in any medium by electronic means (including in any retrieval system or database) or transmitted, in any form or by any means, whether electronic, mechanical, recording or otherwise, without the prior written permission of the copyright owner.

Applications for the copyright owner's permission to reproduce any part of this publication should be made, giving details of the proposed use, to the following address: The Company Secretary, Baxi Heating UK Limited, The Wyvern Business Park, Stanier Way, Derby, DE21 6BF.

Warning: Any person who does any unauthorised act in relation to a copyright work may be liable to criminal prosecution and civil claims for damages.

VALOR FIRES

Valor Fires, Erdington, Birmingham B24 9QP
www.firesandstoves.co.uk

Because our policy is one of constant development and improvement, details may vary slightly from those given in this publication

Safety First.

Valor Fires fires are CE Approved and designed to meet the appropriate British Standards and Safety Marks.



Quality and Excellence.

All Valor Fires fires are manufactured to the highest standards of quality and excellence and are manufactured under a BS EN ISO 9001 quality system accepted by the British Standards Institute.



The Highest Standards

Valor Fires is a member of SBGI and HHIC (Heating and Hot water Industry Council) that work to ensure high standards of safety, quality and performance.



Careful Installation

This gas fire must be installed by a competent GAS SAFE REGISTER engineer (GAS SAFE REGISTER or CORGI engineer outside of UK) in accordance with our installer guide and should not be fitted directly on to a carpet or floor of combustible material.



INSTALLER GUIDE

FOR OWNER GUIDE SEE PAGES 45 TO 59

INSTALLER GUIDE

CONTENTS

<u>Section</u>	<u>Heading</u>	<u>Page</u>
	INSTALLER GUIDE	4 - 44
	OWNER GUIDE	45 - 59
1.	SAFETY AND UNPACKING	7
2.	APPLIANCE DATA AND EFFICIENCY	8
	2.1 General information.	8
	2.2 Efficiency.	8
3.	GENERAL INSTALLATION REQUIREMENTS	9
	3.1 Regulations, Standards and Law.	9
	3.2 Ventilation requirements.	10
	3.3 The Atmosphere sensing device (ASD).	10
	3.4 Fireguard requirements.	10
	3.5 Room considerations.	10
	3.6 Chimney preparation.	11
	3.7 Fireplace preparation.	11
	3.8 The hearth.	11
	3.9 Fireplace clearances.	12
	3.10 Installation options.	14
	3.10.1 Conventional fireplace and hearth.	14
	3.10.1.1 'Hole-in-the-wall' Installations.	15
	3.10.2 Metal flue box and hearth.	15
	3.10.3 Precast concrete or clay flue block system and hearth.	16
	3.11 Flues.	17
	3.12 Propane appliances.	17
4.	PACK CONTENTS	18
5.	FIREPLACE CHECK	23
	5.1 Soundness for appliance attachment.	23
	5.2 Fireplace flue pull.	23
6.	IGNITION CHECK	24
7.	GAS SUPPLY CONNECTION	24
8.	PREPARING APPLIANCE FOR INSTALLATION	25
9.	HOTBOX INSTALLATION	27
	9.1 Method 1 - Cable retention and floor fixing.	27
	9.2 Method 2 - Front fixing to fireplace surround.	29
	9.3 Sealing floor front - All installations.	30

Continued on next page

INSTALLER GUIDE

CONTENTS (Continued)

<u>Section</u>	<u>Heading</u>	<u>Page</u>
10. BURNER & SUPPLY PIPE INSTALLATION		30
10.1	Burner and supply pipe installation.	30
10.2.1	Lighting the burner.	30
10.2.2	Operating the burner.	31
10.3	Inlet pressure check.	31
11. CERAMIC WALLS INSTALLATION		32
12. FITTING THE FASCIA		32
13. FITTING THE CERAMIC FUEL EFFECT		34
14. FITTING THE FIREFRONT		35
15. OPERATING AND SPILLAGE CHECKS		36
15.1	Check the control settings.	36
15.1.1	Lighting the burner.	36
15.1.2	Operating the burner.	37
15.2	Check for spillage.	37
15.3	Flame supervision and spillage monitoring system.	38
16. FINAL REVIEW		39
17. SERVICING & PARTS REPLACEMENT		40
17.1	Checking the aeration setting of the burner.	41
17.2	To remove the Westminster and Bolero fascia.	41
17.3	To remove the Victorian fascia.	41
17.4	To remove the Anthem, Blenheim, Camden, Seattle, Prelude, Minima and Sonnet fascia.	42
17.5	To remove the complete burner unit.	42
17.6	To remove the pilot unit.	42
17.7	To remove the gas valve.	43
17.8	To remove the piezo generator.	43
17.9	To grease the control tap.	43
17.10	To replace the burner.	44
17.11	To remove the main burner injector.	44
17.12	To remove the appliance from the fireplace.	44

INSTALLER GUIDE

1. SAFETY AND UNPACKING

Installer

Before continuing any further with the installation of this appliance please read the following guide to manual handling:

- The approximate lifting weight (kg) of this appliance is as below:

<u>Model</u>	<u>Heat Engine</u>	<u>Fascia / Firefront)</u>	<u>Combined Weight</u>
Anthem	4.9	2.01	6.91
Blenheim	4.9	3.86	8.76
Bolero	4.9	13.35	18.25
Camden	4.9	0.71	5.61
Minima	4.9	1.16	6.06
Prelude	4.9	3.75	8.74
Seattle	4.9	0.71	5.61
Sonnet	4.9	3.86	8.76
Victorian	4.9	5.23	10.13
Westminster	4.9	9.56	14.46

- One person should be sufficient to lift the fire. If for any reason this weight is considered too heavy then obtain assistance.
- When lifting always keep your back straight. Bend your legs and not your back.
- Avoid twisting at the waist. It is better to reposition your feet.
- Avoid upper body/top heavy bending. Do not lean forward or sideways whilst handling the fire.
- Always grip with the palm of the hand. Do not use the tips of fingers for support.
- Always keep the fire as close to the body as possible. This will minimise the cantilever action.
- Use gloves to provide additional grip.
- Always use assistance if required.

This product uses fuel effect pieces and burner compartment walls containing Refractory Ceramic Fibres (RCF), which are man-made vitreous silicate fibres. Excessive exposure to these materials may cause irritation to eyes, skin and respiratory tract. Consequently, it is important to take care when handling these articles to ensure that the release of dust is kept to a minimum. To ensure that the release of fibres from these RCF articles is kept to a minimum, during installation and servicing we recommend that you use a HEPA filtered vacuum to remove any dust and soot accumulated in and around the fire before and after working on the fire. When replacing these articles we recommend that the replaced items are not broken up, but are sealed within a heavy duty polythene bag, clearly labelled as RCF waste. RCF waste is classed as a stable, non-reactive hazardous waste and may be disposed at a landfill licensed to accept

INSTALLER GUIDE

such waste. Protective clothing is not required when handling these articles, but we recommend you follow the normal hygiene rules of not smoking, eating or drinking in the work area and always wash your hands before eating or drinking.

This appliance does not contain any component manufactured from asbestos or asbestos related products.

2. APPLIANCE DATA AND EFFICIENCY

2.1 General information.

Gas	Natural (G20)	Propane (G31) *
Inlet Pressure	20mbar	37mbar
Input - Max. (Gross)	6.8kW (23,400 Btu/h)	6.7kW (22,860 Btu/h)
Input - Min. (Gross)	2.3kW (7,850 Btu/h)	4.0kW (13,650 Btu/h)
Inlet Test Pressure (Cold)	20.0 ± 1.0 mbar (8.0 ± 0.4in w.g.)	37.0 ± 1.0 mbar (14.85 ± 0.4in w.g.)
Gas Connection	8mm pipe	8mm pipe
Burner Injector	Cat 82 - 074	Size 132
Pilot & Atmosphere Sensing Device	Copreci Ref. O.D.S 21500/166	Copreci Ref. O.D.S 21500/166 Fitted with RBM 180 -02 injector
Ignition	Integral piezo (Mounted on gas valve)	Integral piezo (Mounted on gas valve)
Aeration	Factory set	Non-adjustable

*When converted using kit 0595211.

The appliance information label is located on a plate at the base of the fire. This can be seen by removing the firefront casting / firefront.

2.2 Efficiency.

The efficiency of this appliance has been measured as specified in BS 7977 - 1 and the result is as below:

Model	Efficiency % (Gross)
941	55
941 when converted to LPG.	53

INSTALLER GUIDE

The gross calorific value of the fuel has been used for this efficiency calculation. The test data from which it has been calculated has been certified by Advantica Certification services (0087). The efficiency value may be used in the UK Government's Standard Assessment Procedure (SAP) for energy rating of dwellings.

The conversion of **net** efficiency to **gross** was achieved by multiplying the net efficiency by the following conversion factor from Table E3 of SAP 2005, rounding down to the nearest whole number.

Gas	Conversion factor from net to gross efficiency
Natural Gas	0.901
LPG	0.921

3. GENERAL INSTALLATION REQUIREMENTS

3.1 Regulations, Standards and Law.

The installation must be in accordance with these instructions.

For the user's protection, in the United Kingdom it is the law that all gas appliances are installed by competent persons in accordance with the current edition of the Gas Safety (Installation and Use) Regulations. Failure to install the appliance correctly could lead to prosecution. GAS SAFE REGISTER and CORGI require their members to work to recognised standards.

In the United Kingdom the installation must also be in accordance with:

All the relevant parts of local regulations.

All relevant codes of practice.

The relevant parts of the current editions of the following British Standards:-

BS EN 1856 Part 1 - Chimneys - Requirements for metal chimneys.

BS 715 - Specification for metal flue boxes for gas-fired appliances not exceeding 20kW.

BS EN 1858 - Chimneys - Components - Concrete flue blocks.

BS EN 1806 - Chimneys - Clay / ceramic flue blocks.

BS EN 1856 Part 1 - Chimneys - Requirements for metal chimneys.

BS 5440 Part 1 - Installation of flues.

BS 5440 Part 2 - Installation and maintenance of flues and ventilation for gas appliances of rated input not exceeding 70 kW net (1st, 2nd and 3rd family gases).

BS 6461 Part 1 - Masonry chimney & flues - Installation

BS 1251 - Fireplace components

BS 5871 Part 2 - Installation - Inset LFE gas fires

BS 6891 - Gas pipework installation

- In England and Wales, the current edition of the Building Regulations issued by the Department of the Environment and the Welsh Office.

INSTALLER GUIDE

- In Scotland, the current edition of the Building Standards (Scotland) Regulations issued by the Scottish Executive.
- In Northern Ireland, the current edition of the Building regulations (Northern Ireland) issued by the Department of the Environment for Northern Ireland.
- In the republic of Ireland the installation must be carried out by a competent person and also conform to the relevant parts of:
 - a) The current edition of IS 813 “Domestic Gas Installations”
 - b) All relevant national and local rules in force.

Where no specific instructions are given, reference should be made to the relevant British Standard Code of Practice.

3.2 Ventilation requirements.

Normal adventitious ventilation is usually sufficient to satisfy the ventilation requirements of this appliance. In GB reference should be made to BS 5871 Part 2 and in IE reference should be made to the current edition of IS 813 “Domestic Gas Installations” which makes clear the conditions that must be met to demonstrate that sufficient ventilation is available.

3.3 The Atmosphere sensing device (ASD).

The appliance is fitted with an A.S.D (Atmosphere sensing device). If the appliance closes down after a period of operation for no apparent reason, the consumer should be informed to stop using the appliance until the installation and appliance have been thoroughly checked. The A.S.D will shut the appliance down if an unacceptable amount of harmful products of combustion accumulate. Under no circumstances should the A.S.D be altered or bypassed in any way. Only a genuine manufacturer’s replacement part should be fitted. The individual A.S.D components are not replaceable.

3.4 Fireguard requirements.

A fireguard complying with BS 8423 should be fitted for the protection of young children, the elderly, the infirm and pet animals.

3.5 Room considerations.

3.5.1 This appliance must not be installed in any room that contains a bath or shower or where steam is regularly present.

3.5.2 An extractor fan may only be used in the same room as this appliance, or in any area from which ventilation for the appliance is taken, if it does not affect the safe performance of the appliance. Note the spillage test requirements detailed further on in this manual. If the fan is likely to affect the appliance, the appliance must not be installed unless the fan is permanently disconnected.

3.5.3 Note that soft wall coverings (e.g. embossed vinyl, etc.) are easily affected by heat. They may scorch or become discoloured when close to a heating appliance. Please bear this in mind when installing.

INSTALLER GUIDE

3.6 Chimney preparation.

3.6.1 If the appliance is intended to be installed to a chimney that was previously used for solid fuel, the flue must be swept clean prior to installation. All flues should be inspected for soundness and freedom from blockages.

3.6.2 Any chimney damper or restrictor should be removed. If removal is not possible, they must be secured in the open position.

3.7 Fireplace preparation.

3.7.1 If the fireplace opening is an underfloor draught type, it must be sealed to stop any draughts.

3.7.2 The fireplace floor should be reasonably flat to ensure that the hotbox can be installed without it rocking and so that a good seal can be made at the bottom front of the box.

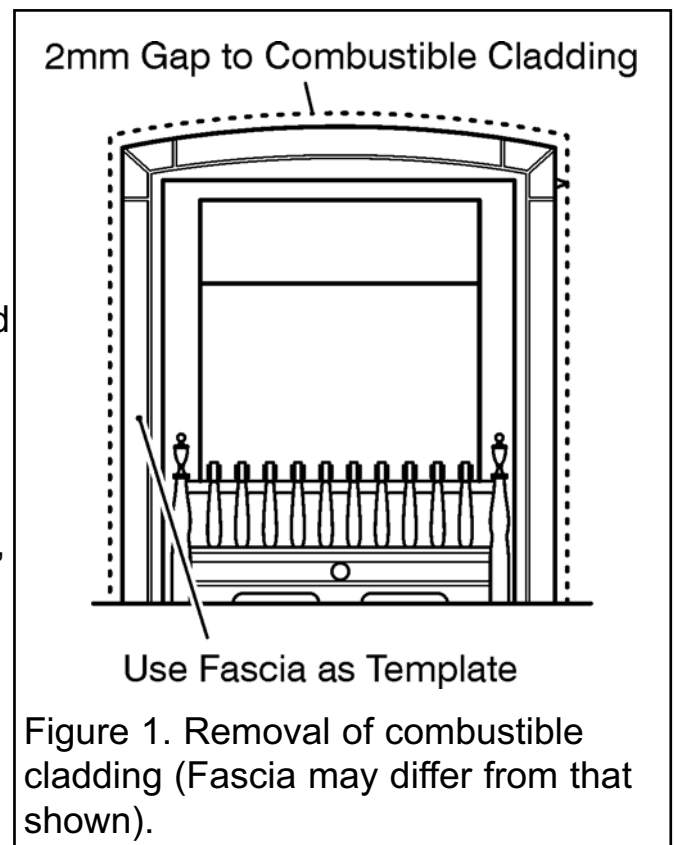
3.7.3 The front face of the fireplace should be reasonably flat over the area covered by the hotbox top and side flange seals to ensure good sealing. These faces should be made good if necessary.

3.7.4 If the appliance is to be fitted against a wall with combustible cladding, the cladding must be removed from the area covered by the fascia. The cladding must also not touch the fascia (See figure 1). We suggest that the actual fascia is used as a template to mark the area for combustible cladding removal and that this area is increased by at least 2mm all round.

3.7.5 If the fireplace opening is greater than the acceptable dimensions given in this guide, do not use the back of a fire surround or marble to reduce the opening. This may cause cracking of the surround back or marble.

3.8 The hearth.

The appliance must be mounted behind a non-combustible hearth unless the conditions of section 3.10.1.1 are met (N.B. conglomerate marble hearths are considered as non-combustible). The appliance can be fitted to a purpose made proprietary class "O"-150°C surround. The hearth material must be at least 12mm thick. The periphery of the hearth (or fender) should be at least 50mm above floor level to discourage the placing of carpets or rugs over it.



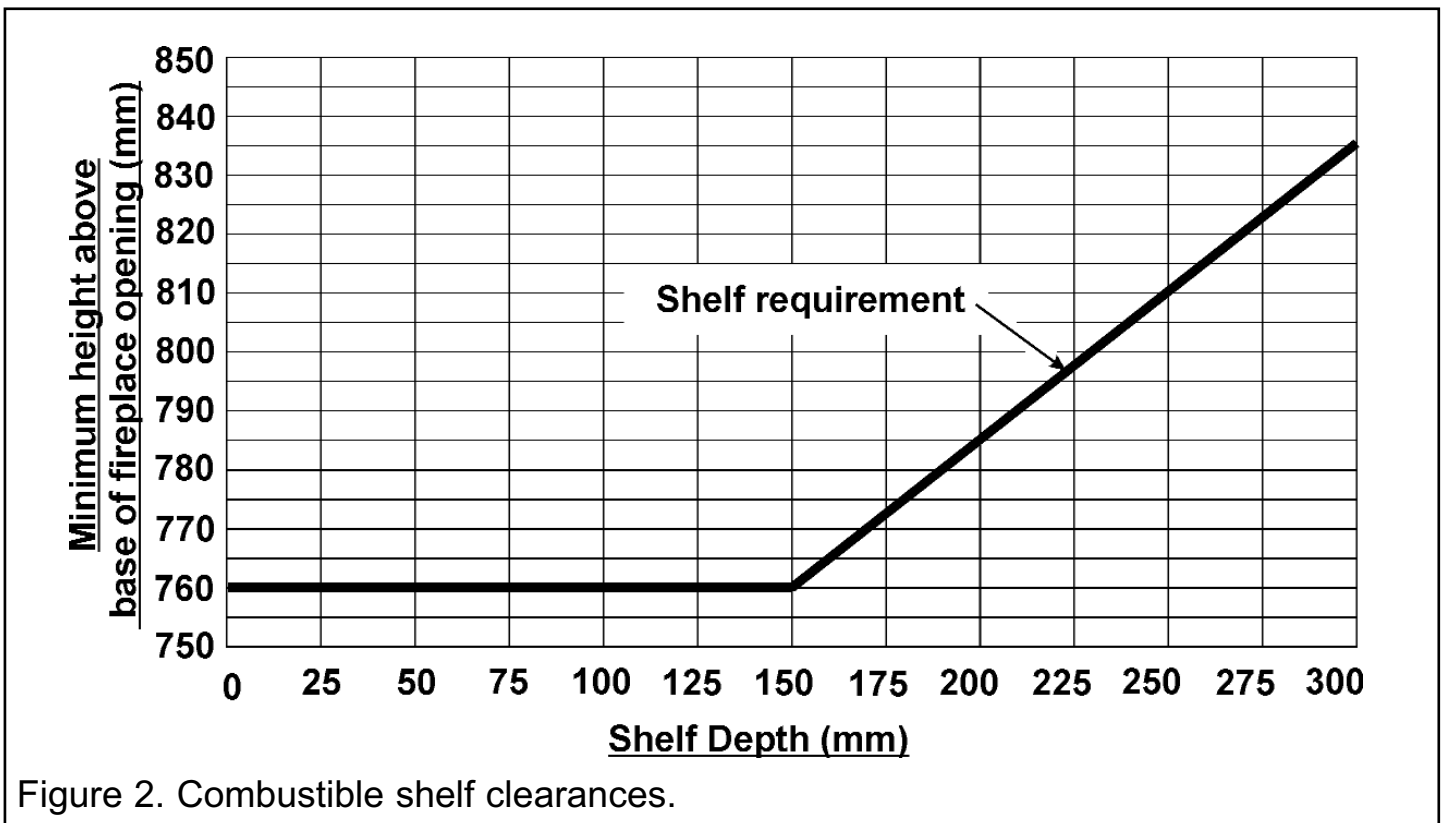
INSTALLER GUIDE

The surface of the hearth must be sufficiently flat to enable the bottom of the front surround and the bottom front cover to be aligned horizontally. Any excessive unevenness (uneven tiles, Cotswold stone, etc.) should be rectified. The appliance must not stand on combustible materials or carpets.

3.9 Fireplace clearances.

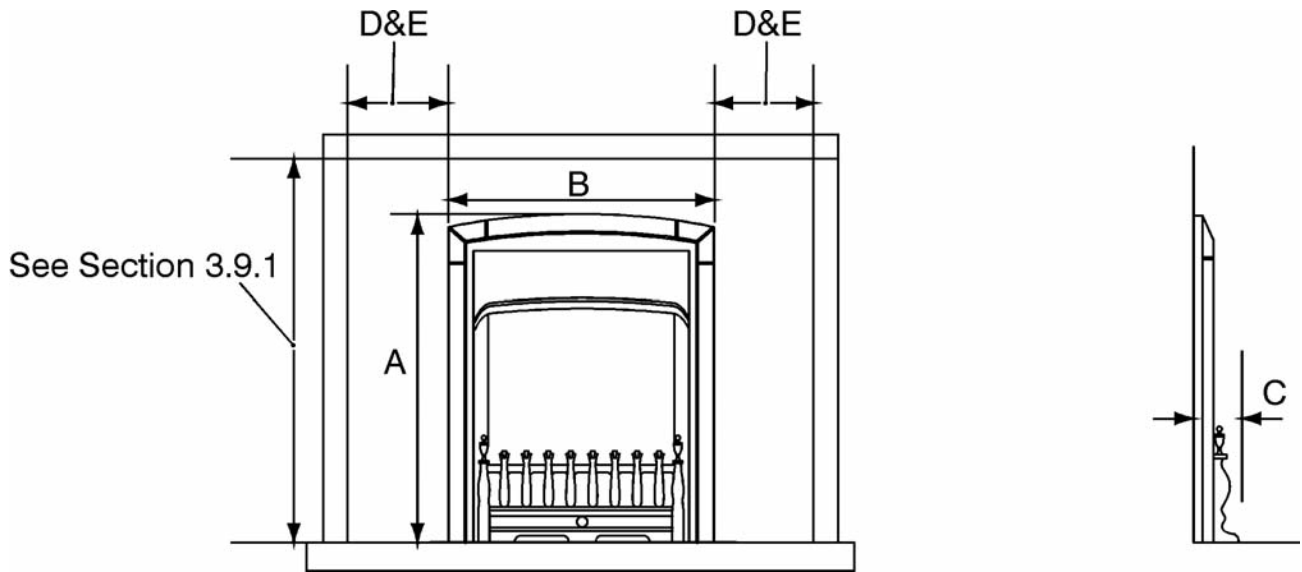
3.9.1 The minimum height from the base of the fireplace opening to the underside of any shelf made from wood or other combustible materials is detailed below.

- For a shelf up to 150mm deep: Minimum height = 760mm.
- For a shelf deeper than 150mm: 760mm + 12.5mm for every 25mm depth over 150mm (See Figure 2).



3.9.2 The minimum allowable distance from the outside of the appliance fascia to a corner wall having combustible material or any other combustible surface which projects beyond the front of the appliance is shown in figure 3.

INSTALLER GUIDE



Model	Key				
	A	B	C	D	E
	Height (mm)	Width (mm)	Depth into room (mm)	Minimum mandatory clearance to combustible surfaces projecting beyond the front of appliance (mm).	Recommended clearance to non-combustible surfaces for access purposes (mm).
Blenheim & Sonnet	599	492	65	125	10
Anthem, Camden & Seattle	599	492	71	125	10
Prelude	599	492	76	125	10
Minima	599	492	75	125	10
Bolero	636	518	94	100	10
Westminster	605	500	50	100	10
Victorian	612	515	70	100	10

Figure 3. Appliance dimensions and clearances (Dimensions are subject to manufacturing deviation. Fascia may differ from that shown).

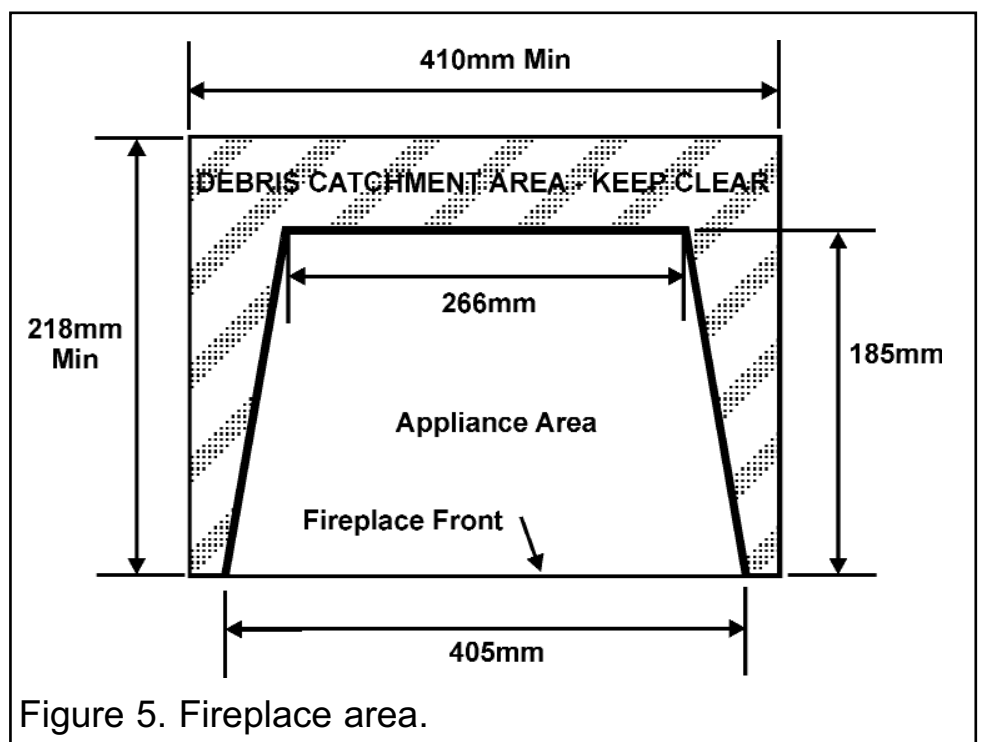
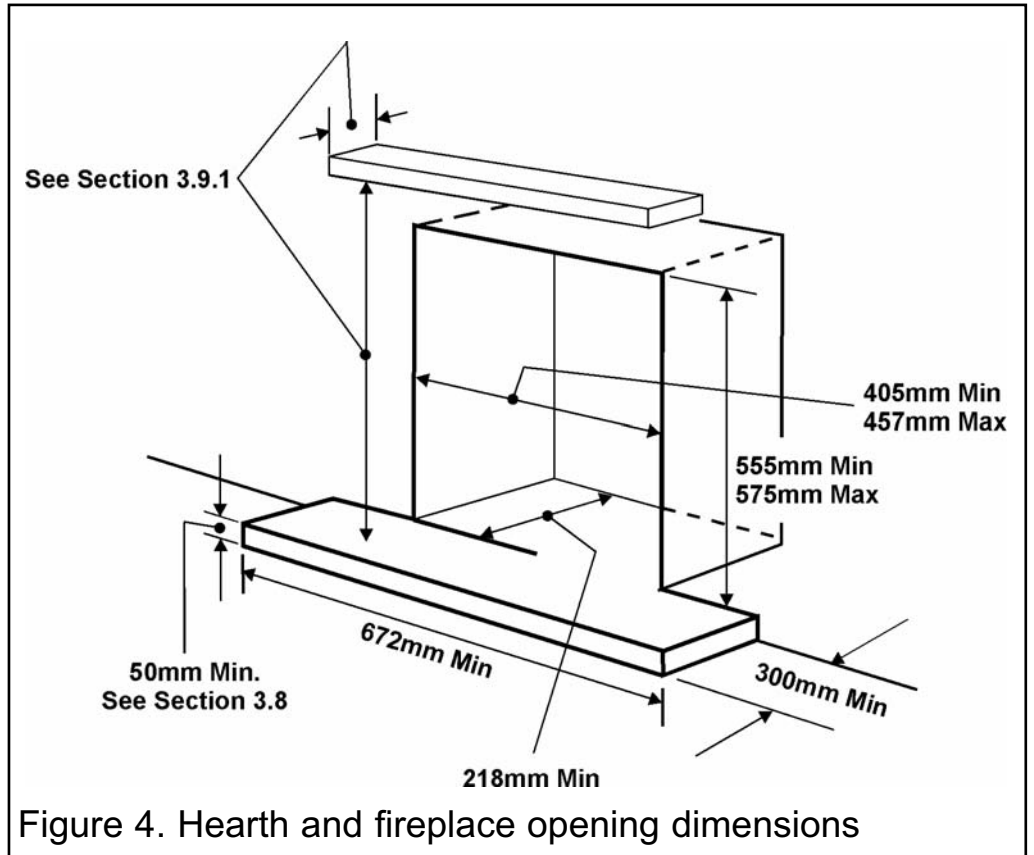
INSTALLER GUIDE

3.10 Installation options.

In the United Kingdom, as supplied, the appliance can be installed in the following situations: -

3.10.1 Conventional fireplace and hearth.

To a fireplace complete with surround and hearth as shown in figure 4 and complying with BS1251 after removal of the fireback and sufficient material behind the fireback for a debris catchment space. The required fireplace, hearth, debris catchment area and clearance dimensions are shown in figure 5.



INSTALLER GUIDE

3.10.1.1 'Hole-in-the-wall' Installations.

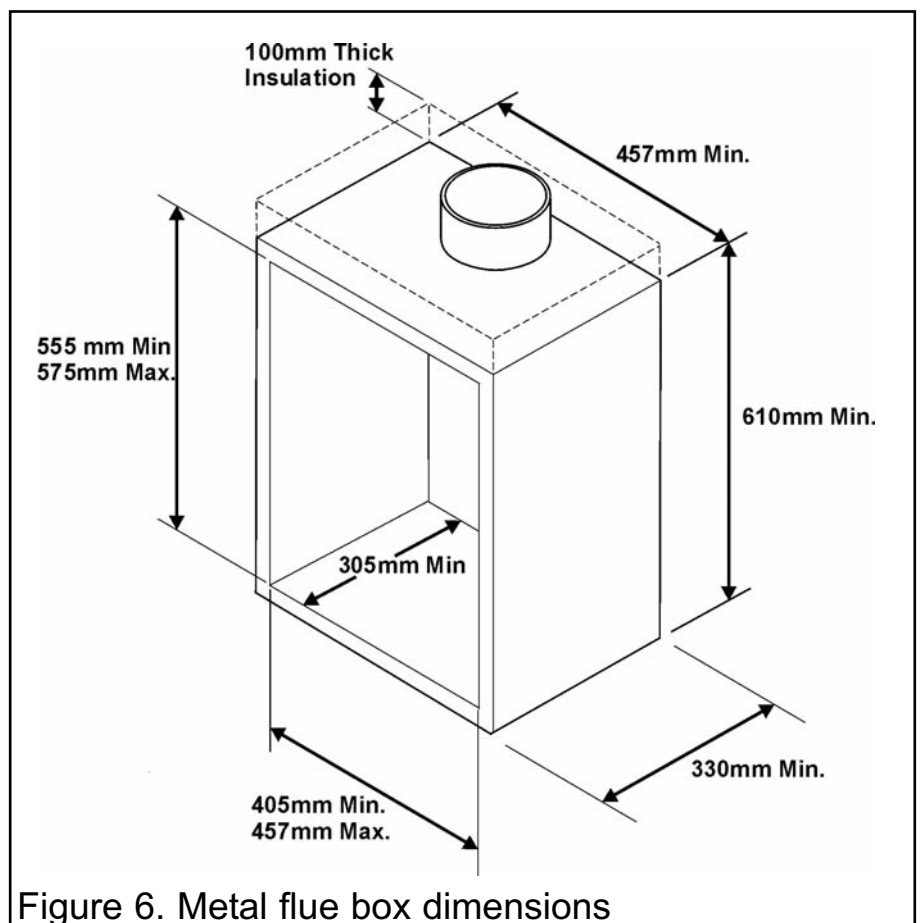
- It is recommended that a hearth should be installed as in section 3.8 (See figure 4).
- If a hearth is not fitted or a reduced depth hearth is fitted, the fire must be installed so that the distance from the base of the fireplace opening in the wall to the finished floor level is at least 100mm. Where there is no floor covering or carpet and the floor is of a type that is likely to be covered in such a way in the future then the distance from the base of the fireplace opening in the wall to the floor level should be increased to at least 175mm.
- To protect from the risk of burns and ignition of clothing a tactile separator shall be used. The hearth detailed in section 3.8 meets the requirements for a tactile separator. If this is not used then a 672mm long fender, kerb, horizontal bar, or other barrier, being fixed not less than 50mm above floor level and positioned 300mm in front of the fixing plane of the fire will meet the requirement.
- If the lower part of the fascia (the firefront) is free standing, the recommended reduced hearth depth is 100mm. This is necessary to support the firefront (See figure 3 for appliance dimensions).

3.10.2 Metal flue box and hearth.

The appliance can be installed to a fireplace incorporating a metal flue box complying with the constructional requirements of the current edition of BS 715 and with a flue conforming to BS EN 1856 part 1. The dimensions of the flue box must conform to those shown in figure 6

Important Note:

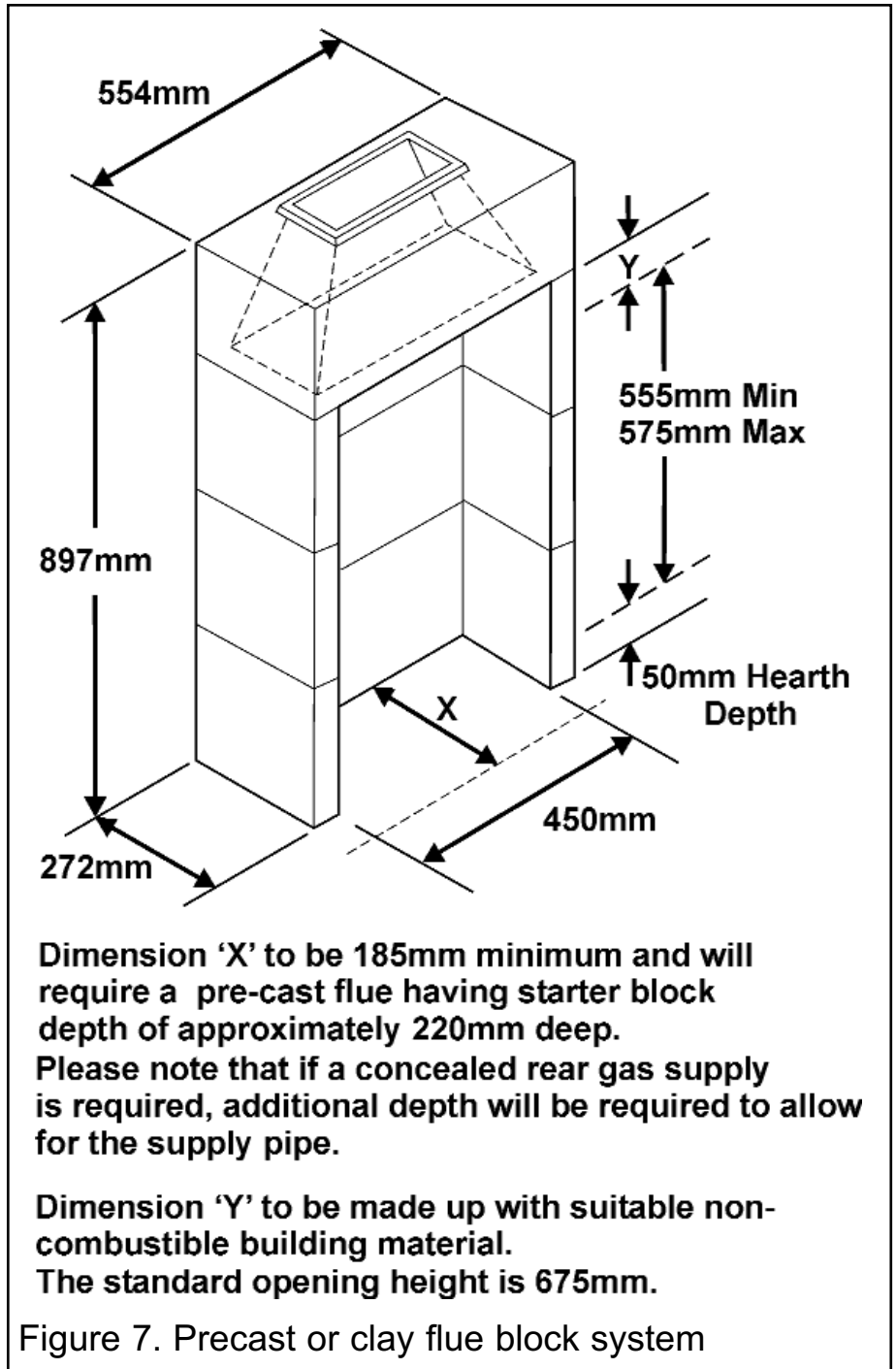
The top surface of the metal flue box must be covered with a 100mm layer of mineral wool or equivalent insulation (See figure 6).



INSTALLER GUIDE

3.10.3 Precast concrete or clay flue block system and hearth.

The appliance can be installed to a precast concrete or clay flue block system conforming to BS EN 1858 with dimensions as in figure 7. BS 1289 part 1 recommends there should be an air space or insulation between the flue blocks and the plaster because heat transfer may cause cracking on directly plastered flues. However, generally this appliance is suitable for installations under all circumstances unless there is a history of cracking problems. Remember that faults such as cracking may be caused by poorly built and restrictive flues, e.g. mortar extrusions, too many bends, flue heights below three metres, restrictive terminations etc.



INSTALLER GUIDE

3.11 Flues.

1. Suitable flues and minimum flue sizes are as follows:

It should be noted that, as with many appliances, sharp bends or horizontal runs in metal flues at the top of the system can be a cause of problems in these types of installation.

- 225mm x 225mm conventional brick flue.
- 175mm diameter lined brick or stone flue.
- 200mm diameter factory made insulated flue manufactured to BS4543 Part 2.
- 175mm diameter flue pipe. See BS6461 Part 1 for suitable materials.
- Single wall, twin wall or flexible flue liner with a minimum diameter of 125mm. The materials to be used are stainless steel or aluminium as specified in BS EN 1856 Part 1. The liner must be sealed to the surrounding area above the fireplace opening and to the top of the chimney. An approved terminal must be fitted.
- A properly constructed precast concrete or clay flue system conforming to BS1289 or BS EN 1858. This system is only suitable if the conditions stated in section 3.10.3 are met.

2. The flue must conform to BS 5440: Part 1 in design and installation.

The flue, measured from the bottom of the fireplace opening to the bottom of the terminal, shall be not less than 3m in actual vertical height. When calculated in accordance with BS 5440: Part 1 Annex A, the minimum **equivalent** height of the flue shall be 2.0m of 125mm dia. flue pipe.

3. The flue must not be used for any other appliance or application.

4. Proprietary terminals must comply with BS 715 or BS 1289. Any terminal or termination must be positioned in accordance with BS 5440 Part 1 to ensure that the products of combustion can be safely dispersed into the outside atmosphere. Where the appliance is connected to an unlined brick chimney it is generally unnecessary for the chimney pot to be replaced or for a terminal to be fitted unless the flue has a diameter smaller than 170mm.

3.12 Propane appliances.

Propane gas appliances must not be installed in a room that is built entirely below ground level (See BS 5871 Part 2).

INSTALLER GUIDE

4. PACK CONTENTS

The items required for this appliance are packed in two sections.

Remove all the items carefully to prevent damage. Take special care when handling the ceramic components. Some items may be contained in the packaging fittings - Examine the packaging carefully before discarding. Check that all the items are present and undamaged.

Items below with a letter reference are supplied on a film wrapped card.

Section 1 - Fire Unit contains:

(See figure 8).

- 1 Burner and hotbox unit.
- 2 'A' Small "U" seals for hotbox side flanges.
- 9 'B' screws (No. 8 x 10).
- 2 'C' screws (M4 x 10).
- 2 'D' washers (For fascia hanging Bolero).
- 2 'E' screws (M4 x 25) (For fascia hanging on Bolero and Westminster only).
- 6 'F' Wall fixing plugs.
- 1 'G' Inlet elbow including pressure test point, nut and olive.
- 4 'H' Woodscrews.
- 1 'K' Grommet.
- 2 'L' Cable adjusters.
- 4 'M' Eyescrews.
- 1 Burner front baffle (Supplied with all models but required on Blenheim, Bolero, Camden, Seattle, Prelude, Sonnet and Victorian models only).
- 1 Flue restrictor.
- 1 Ceramic back wall.
- 1 Pair of ceramic side walls.
- 1 Ceramic fuel effect pack.
- 1 Strip of floor sealing tape.
- 2 Fire retaining cables.
- 1 Smoke match tube.
- 1 Rear ceramic wall support bracket.
- 1 Length of self adhesive foam seal.
- 1 Literature pack (Not shown).

INSTALLER GUIDE

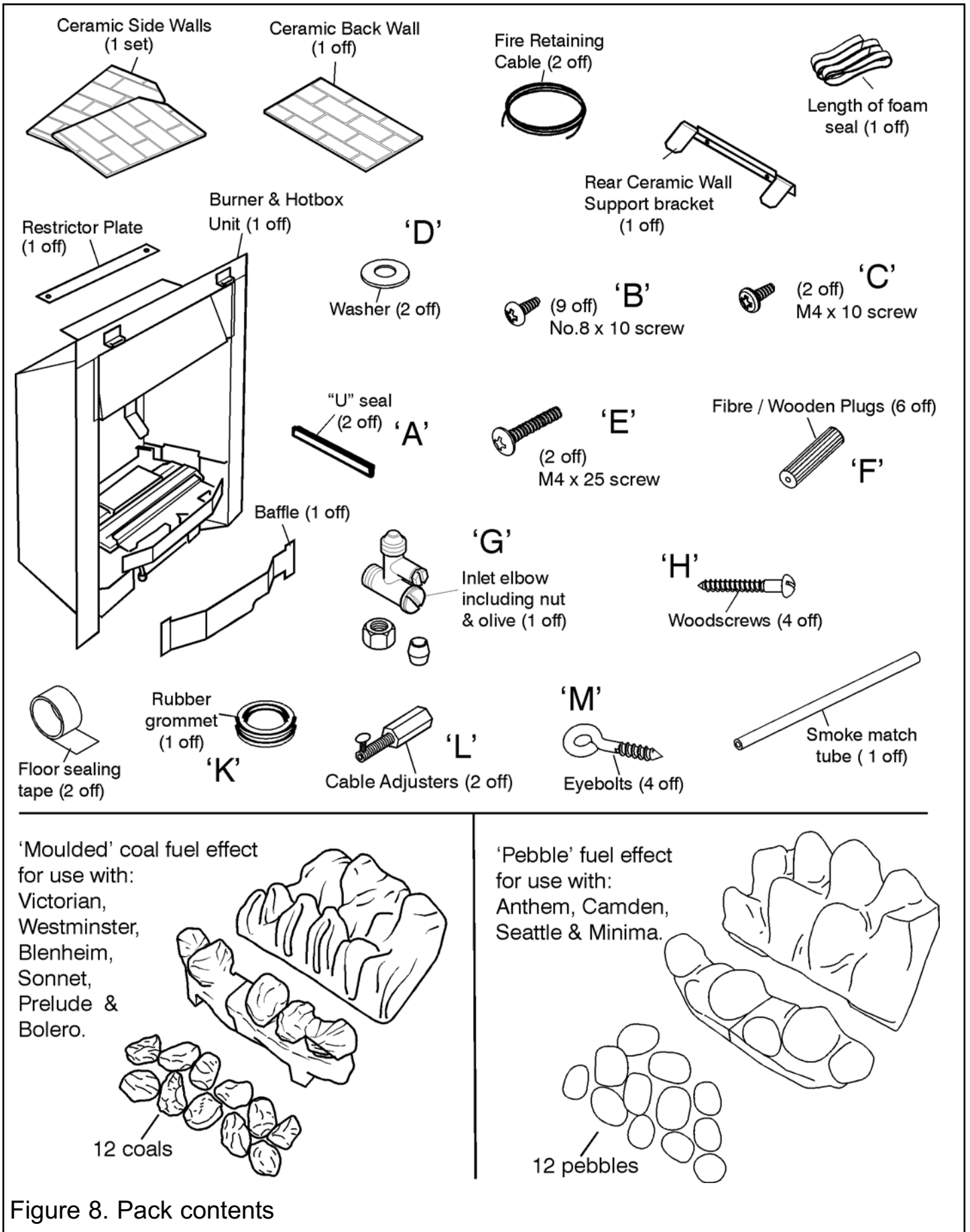


Figure 8. Pack contents

INSTALLER GUIDE

Section 2 - Anthem & Prelude:

- 1 Fascia trim pack (Contains three separate pieces and six magnets)
- 1 Firefront casting
- 1 Bottom front cover casting.

Section 2 - Sonnet and Blenheim:

- 1 Fascia trim pack (Contains three separate pieces and six magnets)
- 1 Firefront casting
- 1 Bottom front cover casting.

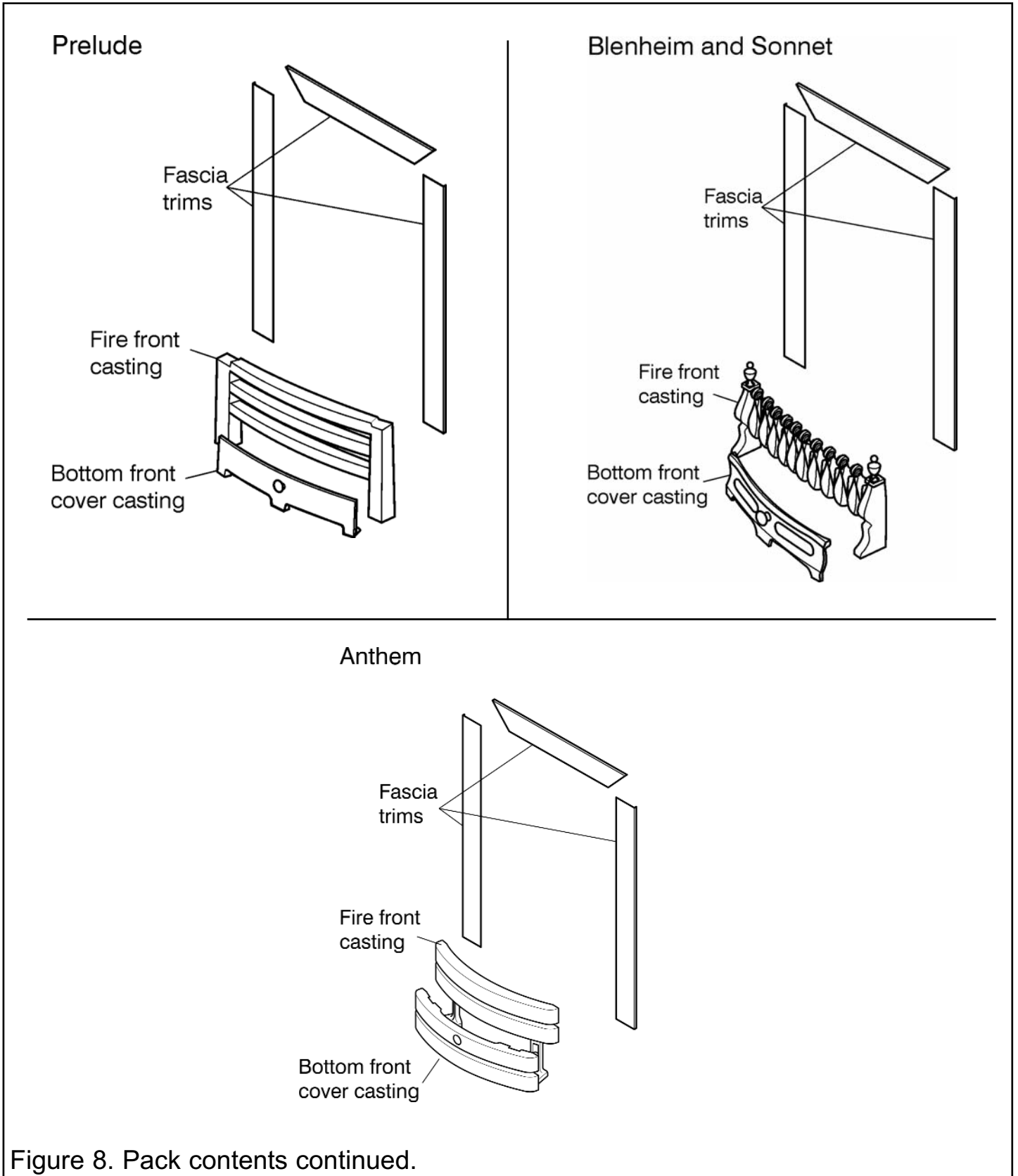


Figure 8. Pack contents continued.

INSTALLER GUIDE

Section 2 - Camden, Seattle & Minima:

- 1 Fascia trim pack (Contains three separate pieces and six magnets)
- 1 Firefront.

Section 2 - Westminster:

- 1 Fascia
- 1 Firefront casting
- 1 Bottom front cover casting

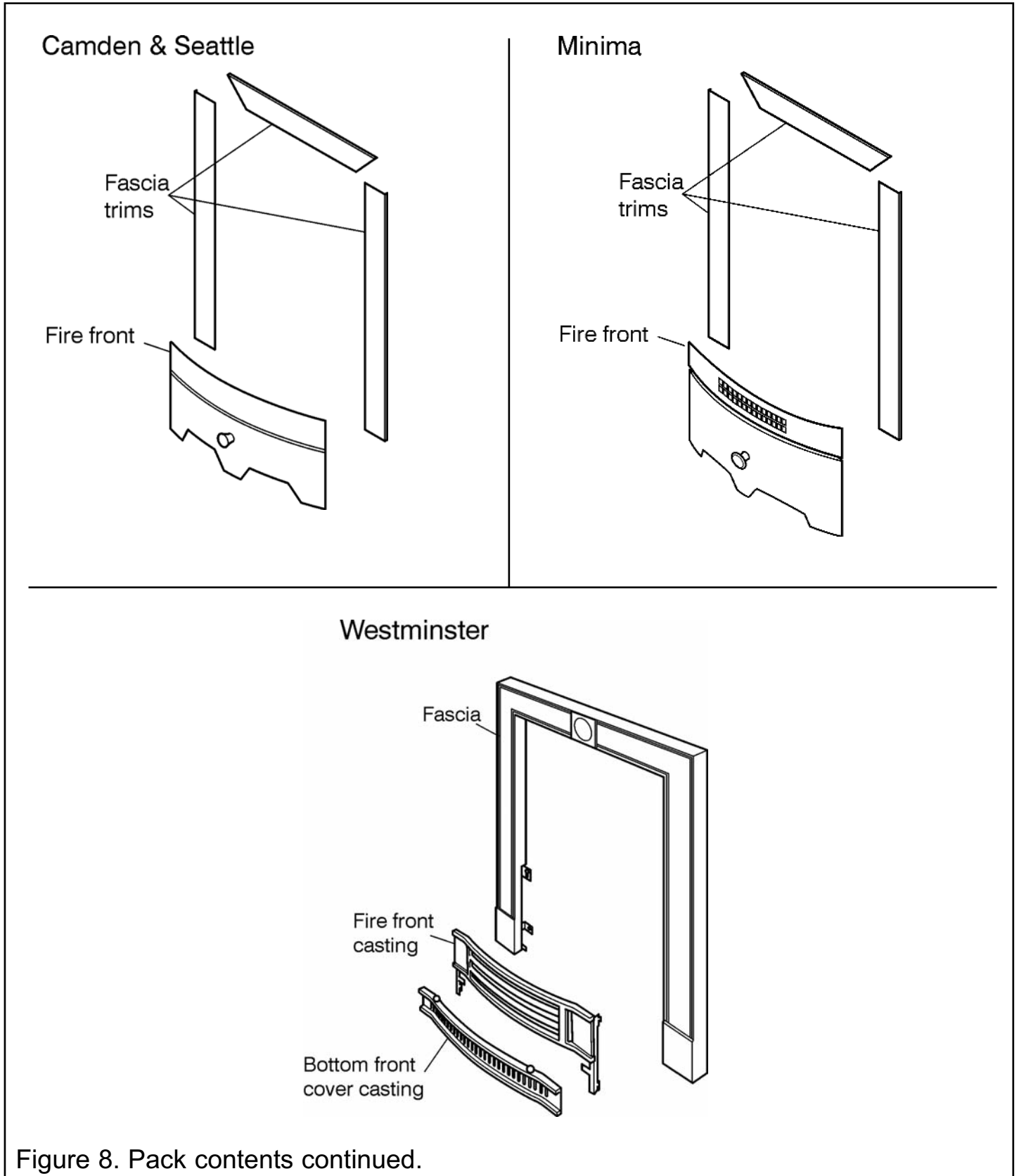


Figure 8. Pack contents continued.

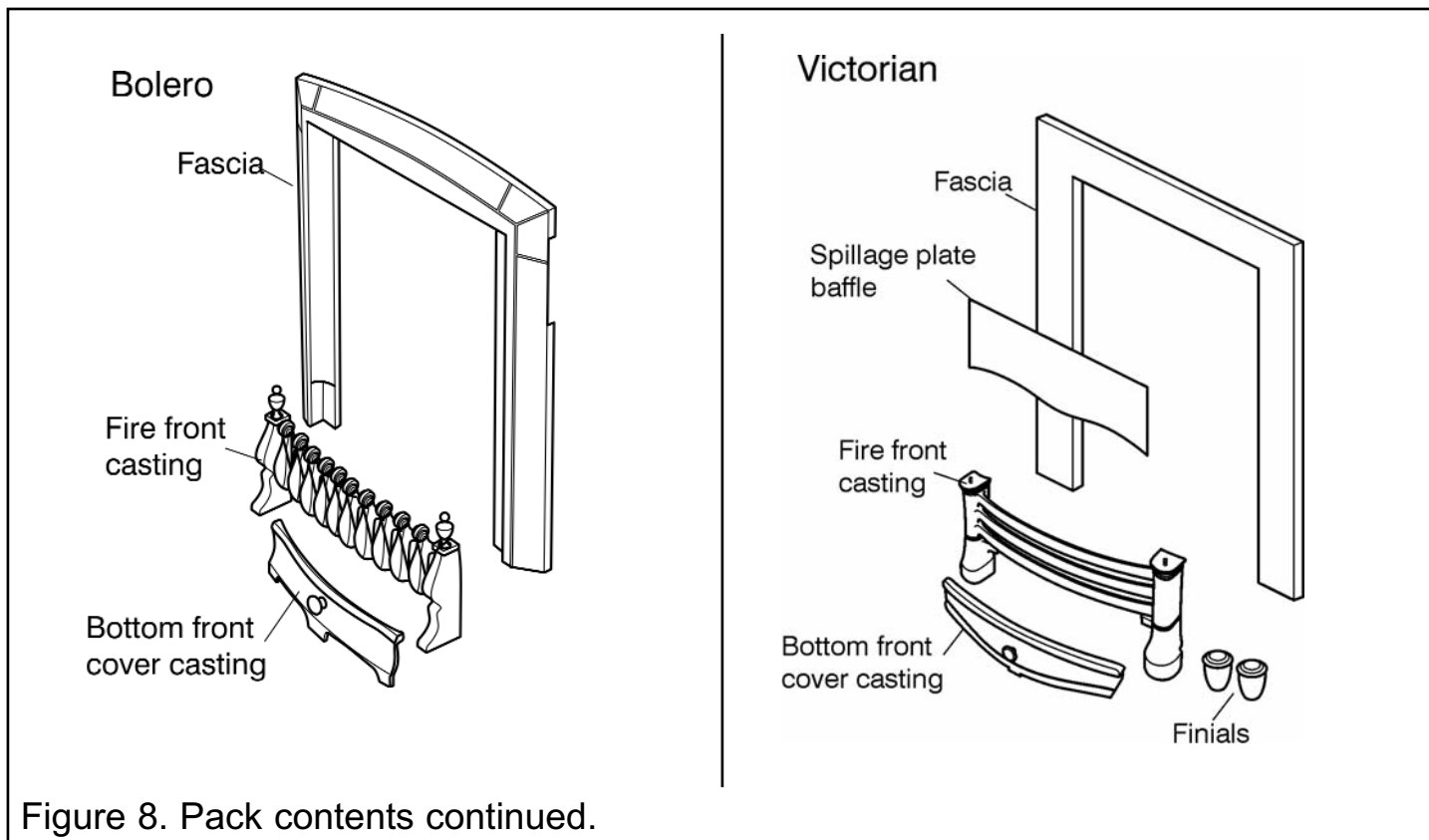
INSTALLER GUIDE

Section 2 - Bolero:

- 1 Fascia
- 1 Firefront casting
- 1 Bottom front cover casting.

Section 2 - Victorian:

- 1 Fascia
- 1 Firefront casting
- 2 Finials
- 1 Bottom front cover casting
- 1 Spillage plate cover and four magnets



5. FIREPLACE CHECK

5.1 Soundness for appliance attachment.

Two primary methods of retaining the appliance are provided: -

- 1) By fixing to the fireplace front surround.
- 2) Using concealed tension cables fixed to the rear of the fireplace opening together with secondary fixing to the fireplace floor.

The methods are detailed in section 9 of this manual. Before selecting the retention method, consult with the customer. Method 2 is provided for instances where drilling holes in the front surface of the fireplace surround is unacceptable to the customer or otherwise impractical. *N.B. It is unwise to attempt to drill into marble without the proper tools and equipment.*

If method 1 is chosen, make sure that the front surround area is sound enough to take the fibre / wooden plugs and woodscrews. If necessary, make sound with suitable cement.

If method 2 is chosen, make sure that the areas at the back and towards the centre of the fireplace floor are sound enough to take the eyebolts and screws. If these areas have deteriorated due to prolonged use, they should be made sound with suitable cement.

5.2 Fireplace flue pull.

Close all doors and windows in the room in which the appliance is to be installed.

After confirming with a match that smoke is drawn into the flue, light a 13 gram smoke pellet and check that there is a definite flow through the flue. Verify outside that the smoke exits from one terminal only and that the termination is suitable.

Observe where possible, upstairs rooms and loft spaces for signs of escaping smoke indicating a defective flue. If there is not a definite flow warm the flue for a few minutes and repeat the smoke pellet test. If there is still no definite flow the flue may need remedial work – **Do not fit the appliance until there is a definite flow through the flue.**

INSTALLER GUIDE

6. IGNITION CHECK

Before attempting to install, it is worth checking that the ignition system performs satisfactorily.

Set the control knob to the off position.

Depress the control knob and rotate it anticlockwise to the pilot ignition position. A

'click' will be heard as the integral piezo operates. A spark should be seen between the electrode and pilot tip. If there is no spark check the following: -

- Ensure that the electrode lead is connected to the terminal at the base of the electrode.
- If the above is correct, check for damage to the electrode lead.

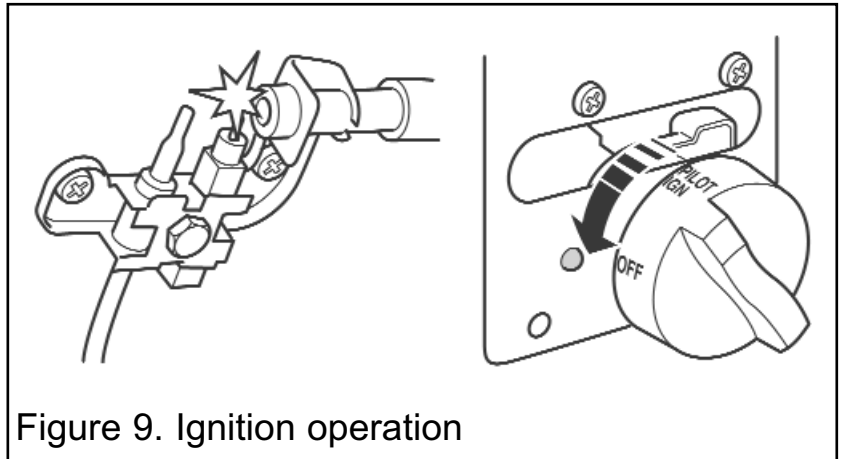


Figure 9. Ignition operation

7. GAS SUPPLY CONNECTION

A nut and olive are provided for an 8mm pipe inlet connection to the inlet elbow at the bottom front of the appliance. The elbow can be rotated to allow a connection from any direction. The elbow includes a valve for isolating the gas supply and a pressure test point.

The supply pipe must be rigid material. Flexible pipe must not be used.

Concealed supply pipe connection

If a concealed connection from inside the fireplace is required then, **before the appliance is fitted into the fireplace** it will be necessary to extend the supply line so that it will project through the hole in the back of the hotbox and run to the inlet elbow at the front. The pipe run from the supply line up to the rear opening in the hotbox must be kept away from the area which will be taken by the hotbox when it is installed (See figure 5).

Note that the centre of the appliance inlet elbow is 25mm above the fireplace floor. The inlet elbow 'G' should be fitted to the supply pipe at this stage.

INSTALLER GUIDE

8. PREPARING APPLIANCE FOR INSTALLATION

Before continuing with the installation of the appliance complete the information in the warranty and service section of the OWNER guide (See last pages of the OWNER guide).

1. Detach the burner unit from the hotbox by removing two screws (See figure 10). Lift the burner unit clear.
2. Fit the two U- seals 'A' to the bottom edges of the hotbox side flanges (See figure 11).
3. It is important that the grommet 'K' supplied in the loose parts pack is fitted to the hole in the rear of the hotbox.

For concealed connection only:

Pierce the grommet to allow the pipe to pass through it. The grommet should envelop the pipe. If the hole is larger than the pipe, seal it with tape. **Do not pierce the grommet unless the supply pipe is to pass through it.**

4. This appliance is supplied with a flue restrictor for use where the flue draught is excessive. Generally we recommend the restrictor is NOT fitted where a precast flue, metal flue box or a flue liner is used, however, certain flues may work sufficiently to warrant its use. There may however, be circumstances where fitting the restrictor causes the fire to fail the spillage test. In such cases the restrictor will have to be removed. After removal conduct the spillage check again.

The restrictor is packed loose with the appliance and is secured with the two screws used for the down draft baffle. Remove the two screws from the rear of the appliance (See figure 12). DO NOT remove the down draft baffle. Locate the flue restrictor. Secure the down draft baffle and restrictor plate in place using the two screws removed previously (See figure 12).

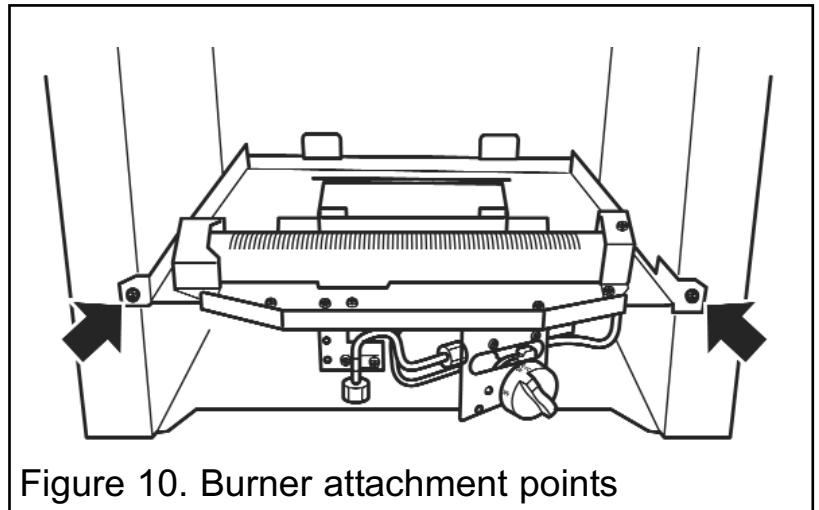


Figure 10. Burner attachment points

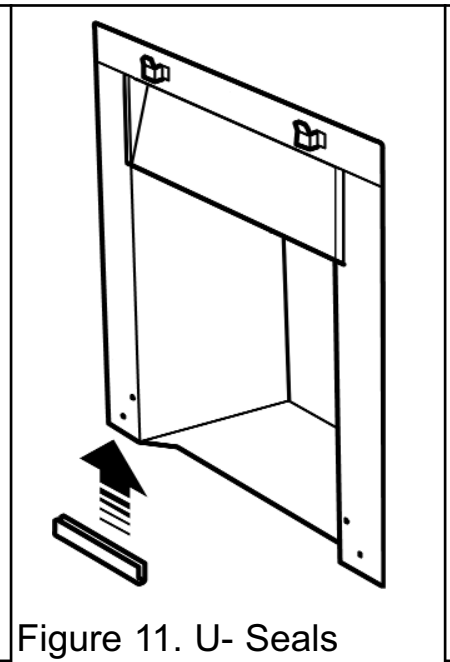


Figure 11. U- Seals

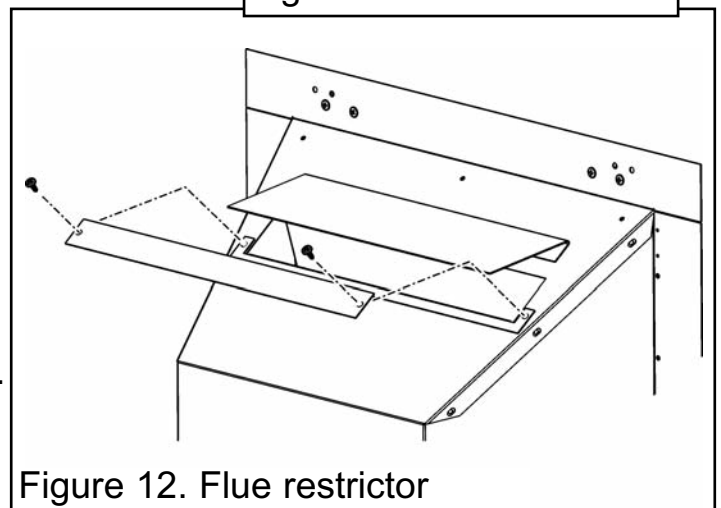


Figure 12. Flue restrictor

INSTALLER GUIDE

5. There is a length of self adhesive foam seal supplied with the fire. This will need to be fitted to the outer rear edges of the side and top flanges of the hotbox. Cut a 485mm length of foam seal. Be careful not to stretch the seal when measuring. Remove the protective backing from the foam seal and fit this to the rear of the top flange (See figure 13). Cut two 580mm lengths. Fit these to the rear outer edges of the side flanges. Ensure that there is no gap between the foam seals where they meet at the top flange (See figure 13)

6. This appliance is supplied with a rear ceramic support bracket. Fit this using two 'B' screws supplied (See figure 14).

The Foam Seal should touch at this point.
Ensure that there is no gap between the seals

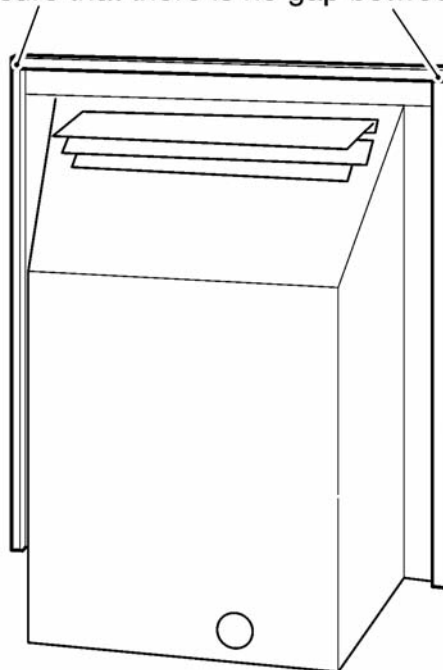


Figure 13. Fitting the foam seal

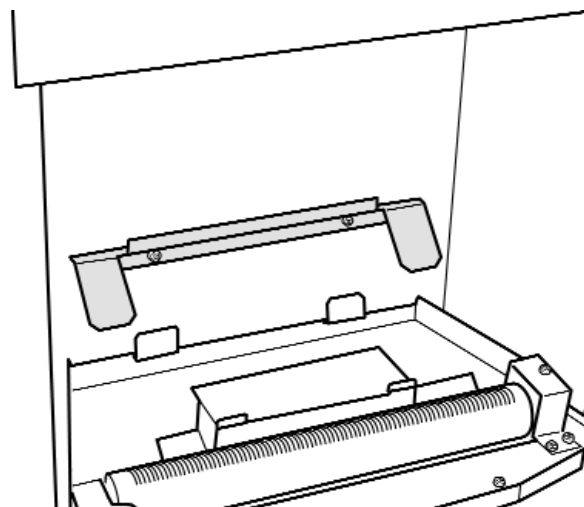


Figure 14. Fitting the rear ceramic support.

9. HOTBOX INSTALLATION

9.1 Method 1 - Cable retention and floor fixing.

1. Make sure that the relevant areas at the fireplace back or floor are sound enough to take the eyescrews 'M' and wood screws 'H'. If these areas have deteriorated due to prolonged use they should be made sound with suitable cement.

2. Drill four holes in the rear wall of the fireplace for the fibre / wooden wall plugs 'F'. The holes should be drilled within the range of positions shown in figure 15 using a suitably sized masonry drill bit for the fibre / wooden plugs supplied. The holes should be equidistant each side of the centre line of the fireplace to ensure that the appliance finishes centrally in the opening when tension is applied to the cables.

3. Place the hotbox unit close to the fireplace but allow sufficient access into the fireplace opening so that the cables can be threaded through the eyescrews and returned through the back of the hotbox. If a concealed connection is being used, insert the hotbox into the fireplace feeding the supply pipe through the pierced hole in the rear grommet.

4. The hotbox has two holes at each side of the spillage plate. Insert one end of each cable (one cable each side) from the back through the lower of the two holes and return the end through the upper of the holes (See figure 16). Give the cables a pull so that they grip against the hotbox flanges.

5. Thread the cables through the eyescrews.

Return the cables through the holes near the bottom of the hotbox back panel (See

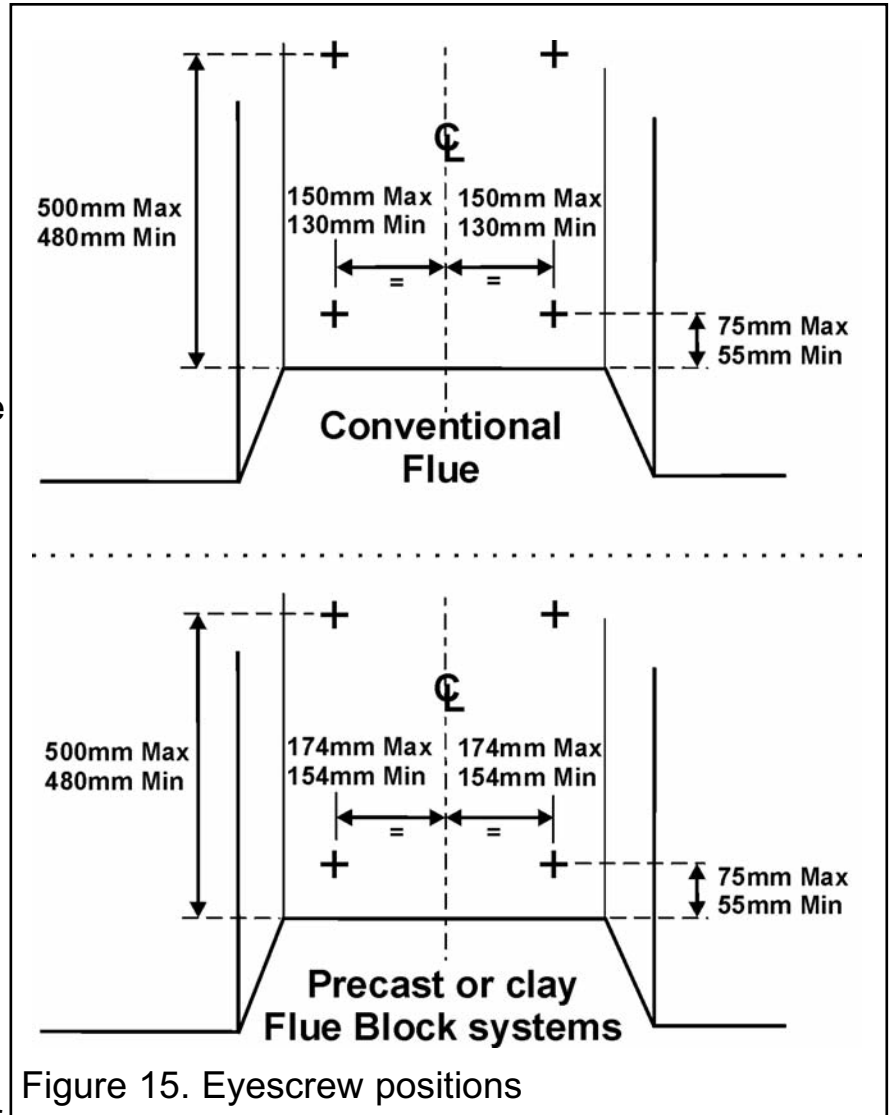


Figure 15. Eyescrew positions

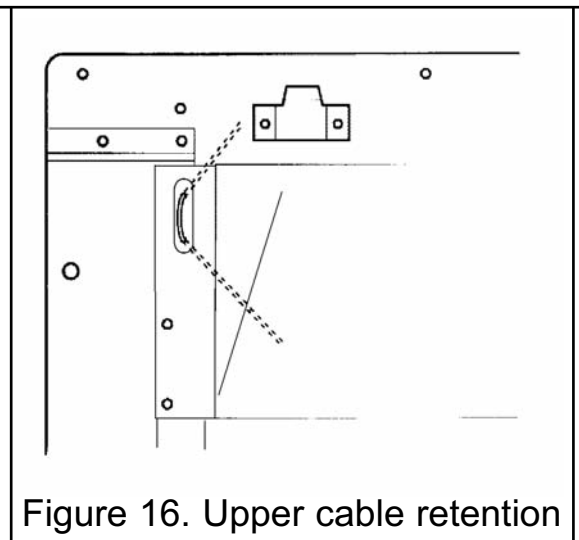
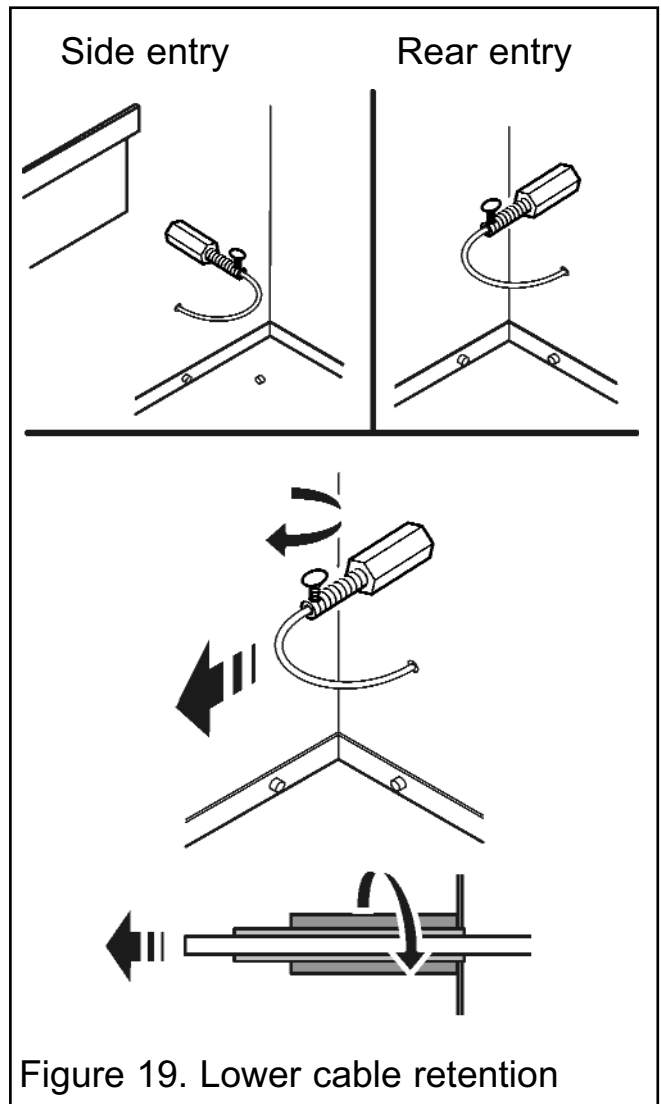


Figure 16. Upper cable retention

INSTALLER GUIDE



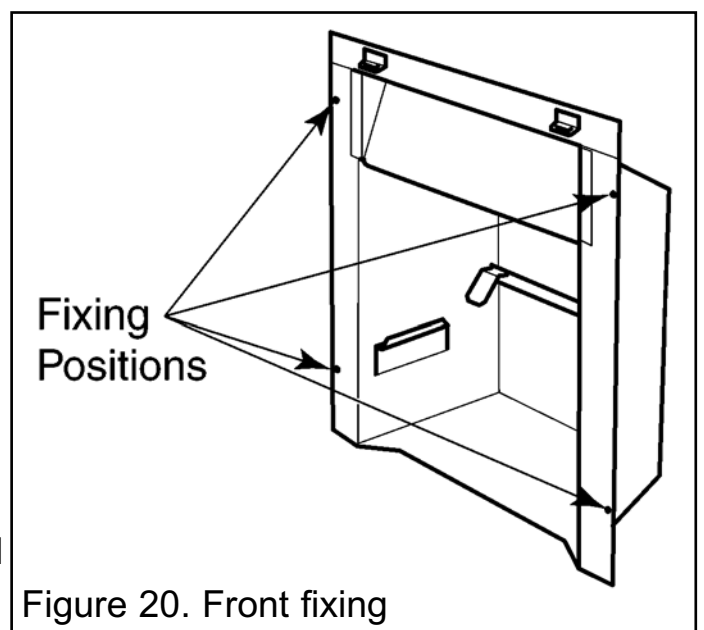
9.2 Method 2 - Front fixing to fireplace surround.

1. Make sure that the fireplace front surround area is sound enough to take the fibre / wooden wall plugs 'F' and wood screws 'H'. If necessary, make sound with suitable cement.

2. Place the hotbox centrally in the fireplace in the position in which it is to be permanently installed. If a concealed connection is being used, insert the hotbox into the fireplace feeding the supply pipe through the pierced hole in the rear grommet.

3. Mark the fireplace front surround through the four fixing holes in the side flanges of the hotbox (See figure 20).

4. Remove the hotbox. Drill four holes in the fireplace front surround at the marked positions using a suitably sized masonry drill bit for the wall plugs supplied.



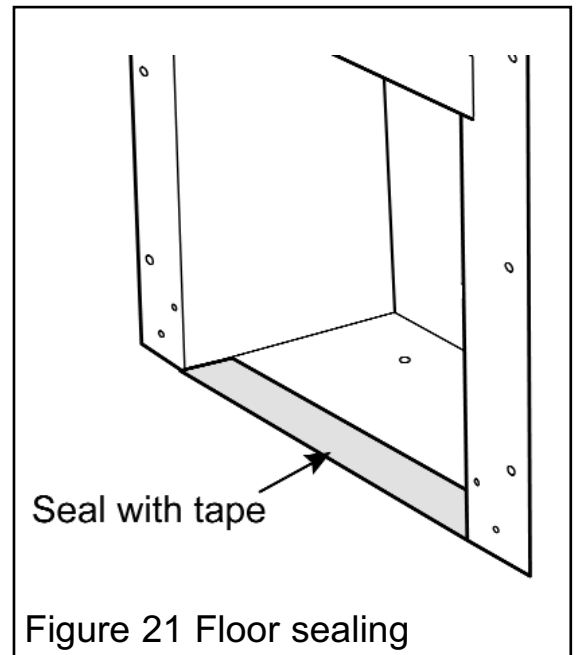
INSTALLER GUIDE

5. Insert a fibre / wooden wall plug 'F' into each hole.
6. Place the hotbox back in position in the fireplace.
7. Fit a wood screw 'H' through each hole in the hotbox flanges and tighten to seal the box to the fireplace surround.

9.3 Sealing floor front - All installations.

Using the floor sealing tape supplied, seal the bottom of the hotbox to the fireplace and hearth floor (See figure 21).

Make sure that the whole length of the front edge of the hotbox is fully sealed.



10. BURNER & SUPPLY PIPE INSTALLATION

10.1 Burner and supply pipe installation.

1. Refit the burner unit to the hotbox with two screws.
2. Connect the supply line to the appliance.
3. Turn on the gas supply and pressure check the installation pipe work for gas soundness. In the United Kingdom (GB) check in accordance with the current edition of BS 6891. In the Republic of Ireland check in accordance with the current edition of IS 813 "Domestic Gas Installations".

10.2 Preliminary burner checks.

Some burner operations can be checked at this stage. Checking now will mean that less disassembly will be required if any problems are found. ***A full check should still be made, however, after final installation.***

10.2.1 Lighting the burner.

1. If closed, open the isolating valve at the inlet elbow.
2. Depress the control knob and rotate it **slowly** anticlockwise to the pilot ignition position. A 'click' will be heard as the integral piezo operates. A spark should be seen between the electrode and pilot tip.
3. Turn the control knob clockwise to the 'Off' position. Repeat this operation until a flame appears at the pilot. There may be a delay before the pilot lights due to air being purged from the system. When a flame appears at the pilot keep the control knob depressed and hold the pilot ignition position for five seconds. When the control knob is released the pilot flame should remain lit.

INSTALLER GUIDE

10.2.2 Operating the burner.

1. When the pilot burner is operating properly, gradually turn the control knob anti-clockwise to 'HIGH' (Depress the knob slightly to get past the pilot ignition position). The main burner should now light. Depress the control knob slightly to release from the 'HIGH' position and turn back (clockwise) to 'LOW'. While turning, the burner flames should gradually become lower but remain alight. Depress the control knob slightly to release from the 'LOW' position and turn back (clockwise) to the 'Pilot ignition' position. The main burner should extinguish but the pilot should remain alight. Depress the control knob slightly and turn back (clockwise) to turn OFF. This will extinguish the pilot.

If the above checks are satisfactory, continue with the installation. If not, check the control and ignition circuitry and components as described in the servicing section of this guide.

10.3 Inlet pressure check.

The appliance is pre-set to give the correct heat input at the inlet pressure shown in section 2 of this manual. No adjustment is necessary.

1. Check the inlet pressure by fitting a pressure gauge at the test point. The test point is on the inlet elbow (See figure 22). Check the pressure with the appliance alight and set at maximum output.

2. After checking, turn off the appliance. Remove the pressure gauge and replace the test point sealing screw.

3. Relight the appliance. Turn to the maximum output position and test around the sealing screw for gas soundness with a suitable leak detection fluid.

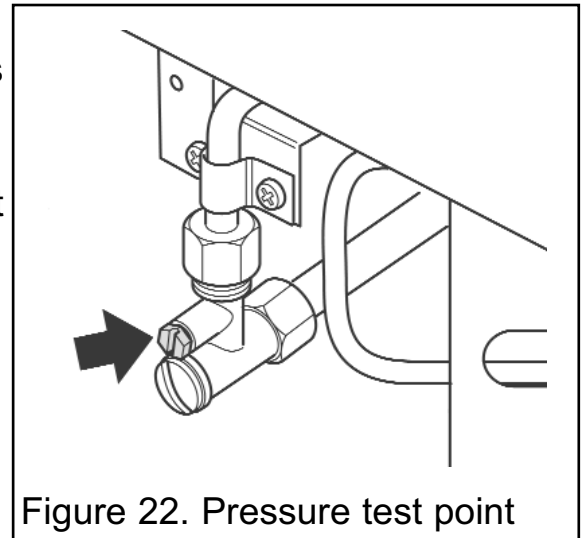


Figure 22. Pressure test point

When the above checks from section 10.2 and 10.3 have been completed close the isolating valve on the inlet elbow.

INSTALLER GUIDE

11. CERAMIC WALLS INSTALLATION

1. Fit the ceramic rear wall inside the “L” bracket on the back face of the burner compartment. Push the ceramic wall flat against the back face of the burner compartment (See figure 23).

2. Fit the ceramic side walls against the side faces of the burner compartment. The bottom edges of the walls should rest in the ledges at the sides of the firebox. Slide them in from the front and ensure that they touch the rear wall. Be careful not to damage the edges of the side walls (See figure 24).

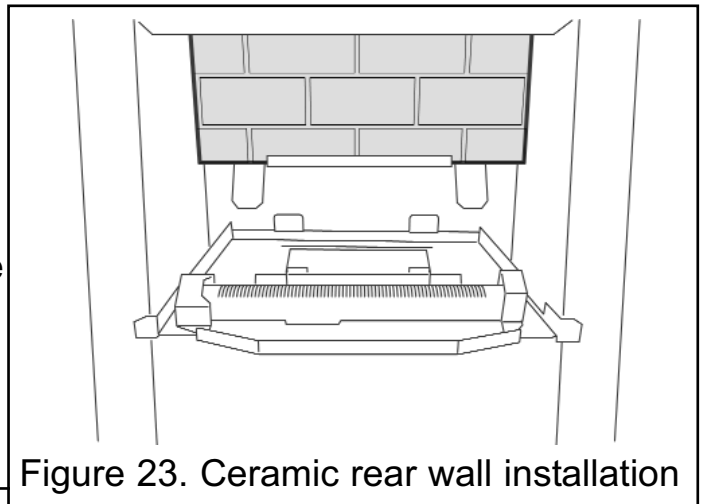


Figure 23. Ceramic rear wall installation

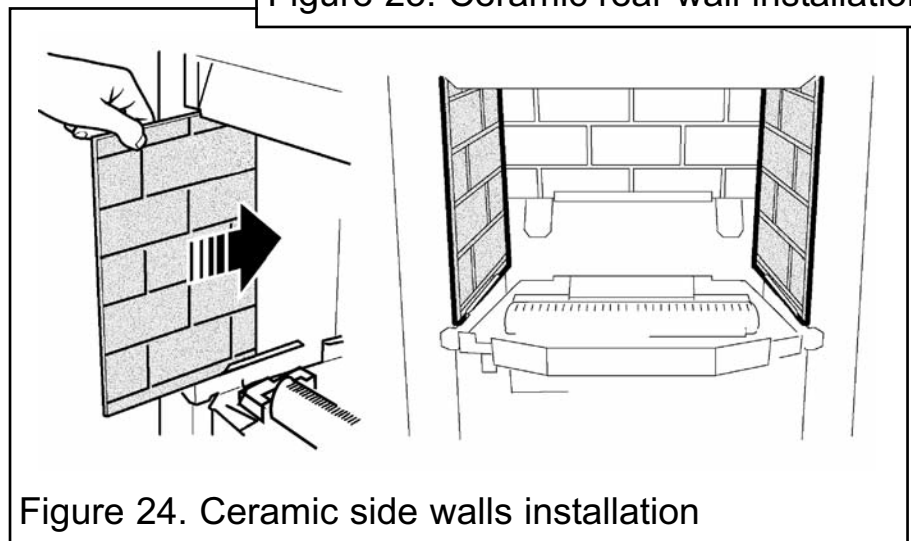


Figure 24. Ceramic side walls installation

12. FITTING THE FASCIA

12.1 Fitting the Bolero fascia.

1. **As supplied the fascia has two additional brackets which are not required. These are located at the top of the side sections. Unscrew and remove the brackets.**

2. Carefully lift the fascia. Place the fascia against the fireplace front surface so that the two retaining plates at the back of the fascia are directly above the two upper retaining brackets at the top of the hotbox. Lower the fascia unit making sure that the retaining plates locate fully into the brackets on the hotbox (See figure 25). If the inlet pipe runs along the front of the fireplace, the bottom of the fascia will have to be swung forward to clear the pipe while lowering the fascia.

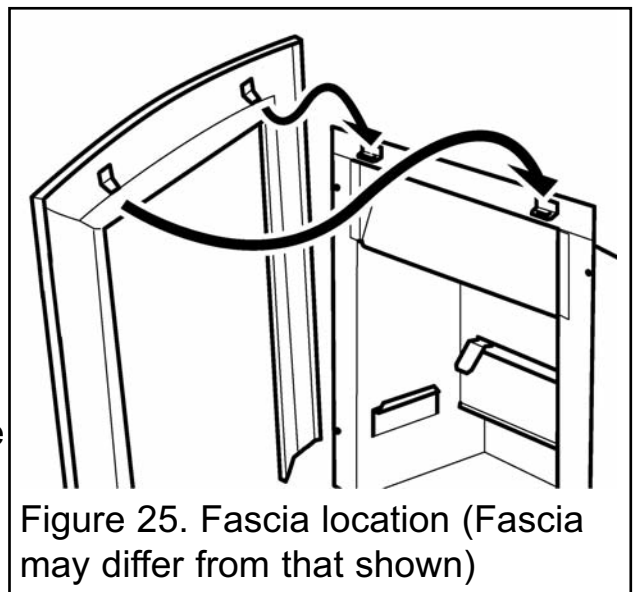


Figure 25. Fascia location (Fascia may differ from that shown)

INSTALLER GUIDE

3. Secure the fascia using the two 'E' screws and 'D' washers supplied (See figure 26).

4. Fit the burner baffle to the front flanges of the burner. To do this, place the baffle against the front flanges of the burner and lower into position. The return edges on the rear of the baffle should slot over the front flanges of the burner (See figure 27).

12.2 Fitting the Westminster fascia.

1. Carefully lift the fascia. Place the fascia against the fireplace front surface so that the two retaining plates at the back of the fascia are directly above the two upper retaining brackets at the top of the hotbox. Lower the fascia unit making sure that the retaining plates locate fully into the brackets on the hotbox (See figure 25). If the inlet pipe runs along the front of the fireplace, the bottom of the fascia will have to be swung forward to clear the pipe while lowering the fascia.

2. Secure the fascia using the two 'C' screws supplied (See figure 26).

12.3 Fitting the Victorian fascia.

1. Carefully lift the fascia. Place the fascia against the fireplace front surface so that the four retaining plates at the back of the fascia are directly above the four retaining brackets on the hotbox. Lower the fascia unit making sure that the retaining plates locate fully into the brackets on the hotbox (See figure 28). If the inlet pipe runs along the front of the fireplace, the bottom of the fascia will have to be swung forward to clear the pipe while lowering the fascia.

2. Fit the burner baffle to the front flanges of the burner. To do this, place the baffle against the front flanges of the burner and lower into position. The return edges on the rear of the baffle should slot over the front flanges of the burner (See figure 27).

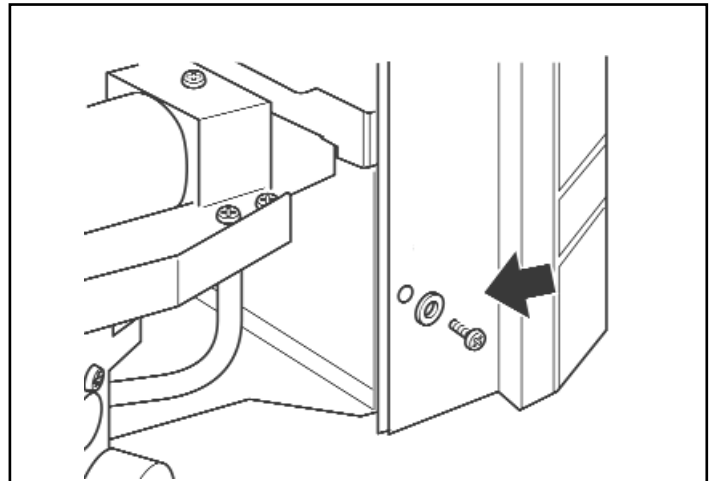


Figure 26. Fascia securing (Fascia may differ from that shown - washers only used on Bolero model)

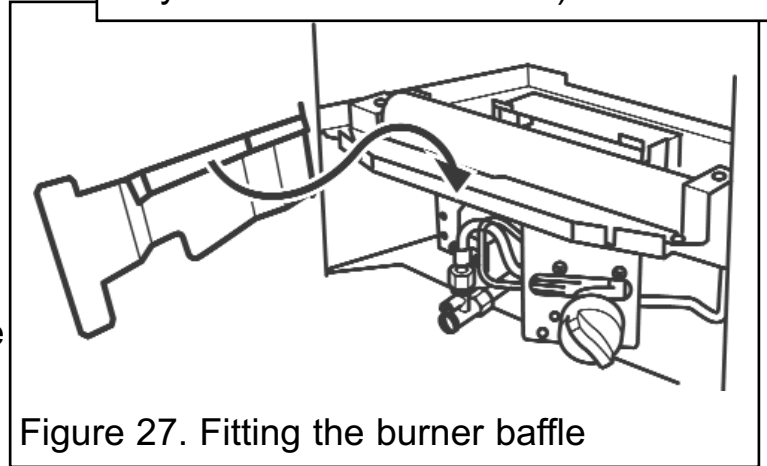


Figure 27. Fitting the burner baffle

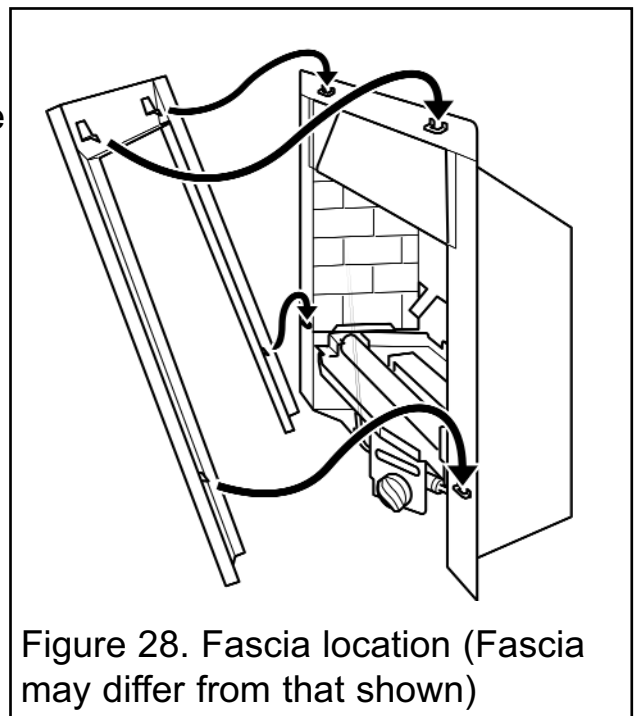


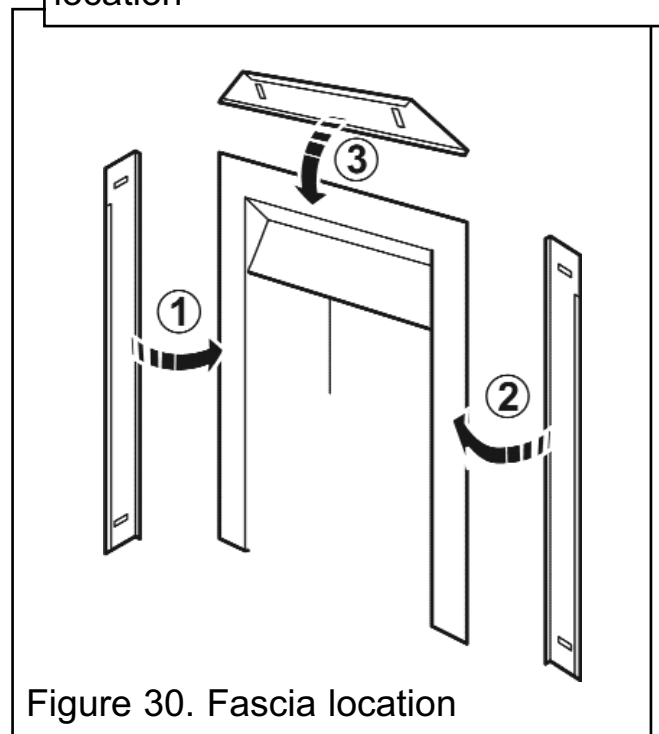
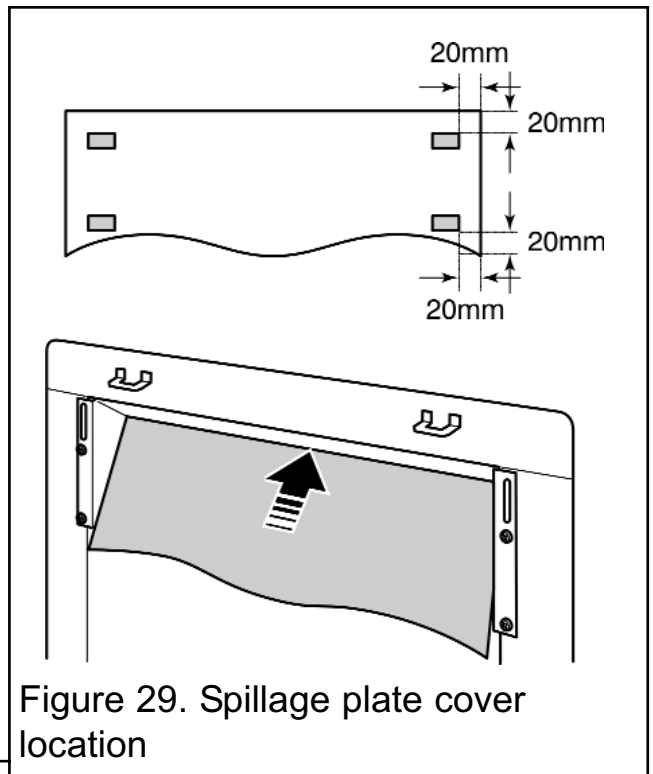
Figure 28. Fascia location (Fascia may differ from that shown)

INSTALLER GUIDE

3. The Victorian fascia pack has a spillage plate cover and four magnets. Locate the four magnets approximately 20mm from the rear corners of the cover (See figure 29). Locate the cover onto the spillage plate (See figure 29). Ensure that the top locates against the upper face of the spillage plate.

12.4 Fitting the Anthem, Blenheim, Camden, Seattle, Minima, Prelude and Sonnet fascia.

1. The fascia is supplied in three pieces. Carefully remove the three fascia pieces from the packaging. Remove any protective film.
2. The magnets used to locate each fascia trim should already be positioned on the rear of each trim. Each fascia trim should have two magnets. If the magnets are not fitted then locate one magnet centrally at each end of the trims.
3. Locate the side fascia trims as in figure 29.
4. Locate the top fascia trim as in figure 30.
5. **Blenheim, Camden, Seattle, Prelude and Sonnet only** - Fit the burner baffle to the front flanges of the burner. To do this, place the baffle against the front flanges of the burner and lower into position. The return edges on the rear of the baffle should slot over the front flanges of the burner (See figure 27).



13. FITTING THE CERAMIC FUEL EFFECT

The installer and owner guide for the ceramic fuel effect is supplied with the ceramic fuel effect. It is important that the fitting guide for the ceramic fuel effect be placed inside or attached to this guide and handed to the customer following completion of the 'Final review' section.

14. FITTING THE FIREFRONT

14.1 Fitting the Blenheim, Bolero, Prelude and Sonnet firefront.

1. Place the firefront casting centrally on the hearth in front of the fascia.
2. Place the bottom front cover casting in position below the fire front casting.

14.2 Fitting the Westminster firefront.

1. The Westminster firefront hooks onto the fascia at four points. Locate the firefront casting onto the fascia by locating the upper hooks and lower hooks as in figure 31.
2. Locate the lower firefront to the firefront casting as in figure 31.

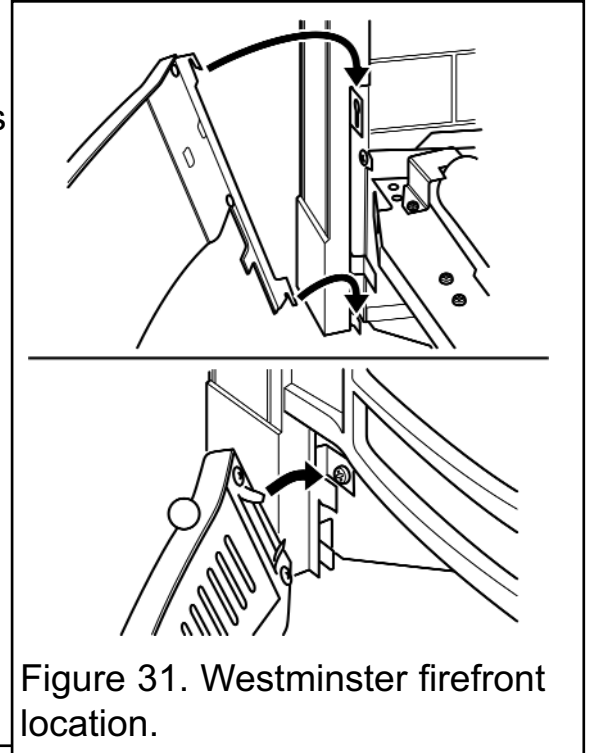


Figure 31. Westminster firefront location.

14.3 Fitting the Victorian firefront.

1. Fit the finials to the top of the firefront casting by screwing them into place.
2. Place the firefront casting centrally on the hearth in front of the fascia.
3. Place the bottom front cover casting in position below the fire front casting.

14.4 Fitting the Anthem firefront.

1. The Anthem firefront is fitted with a set of fixing brackets. Each bracket has two threaded holes. As supplied the top threaded hole should be fitted with a 25mm long machine screw. Remove the machine screw and locate to the threaded hole below.
2. The screw should be set at a distance of 7mm (Measured from the surface of the bracket to the underside of the screw head). Adjust the screw to this distance (See figure 32).

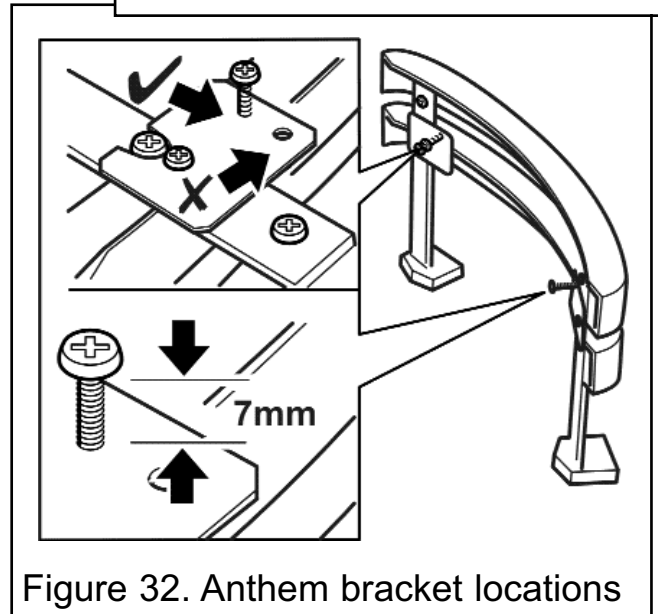


Figure 32. Anthem bracket locations

INSTALLER GUIDE

3. Locate the firefront as in figure 33. The screw heads should locate into the slots in the burner tray.
4. The lower 'ash pan' casting should be located as in figure 34.

14.5 Fitting the Camden, Seattle and Minima firefront.

1. Place the firefront centrally on the hearth in front of the fascia.

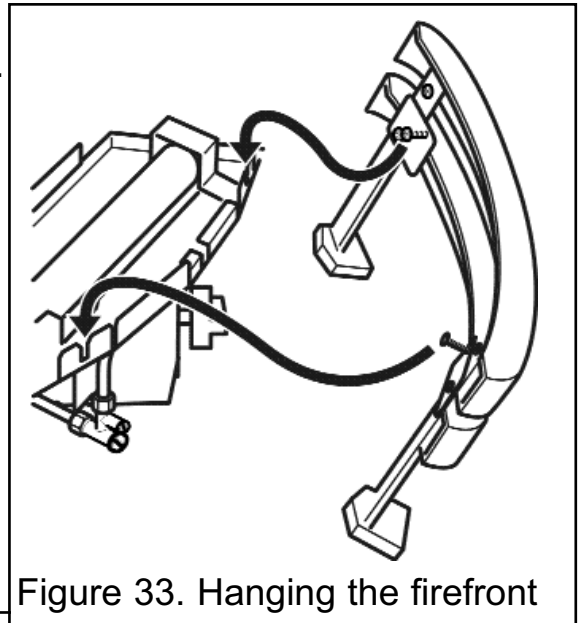


Figure 33. Hanging the firefront

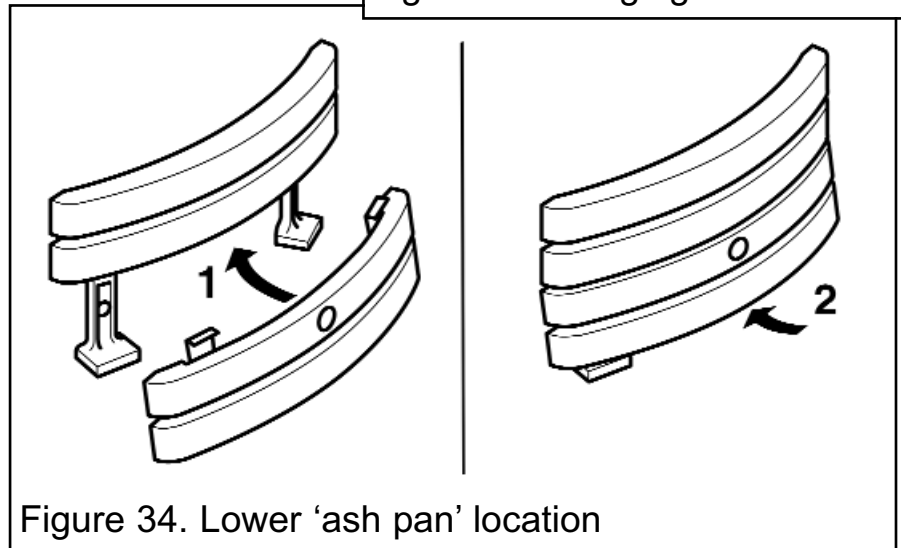


Figure 34. Lower 'ash pan' location

15. OPERATING AND SPILLAGE CHECKS

15.1 Check the control settings.

With the ceramic fuel effect in position the control operation must now be fully rechecked. Make sure that the isolating valve at the elbow is open.

- *When first turned on from cold, the flames will appear predominantly blue.*
- *When operating the fire for the first time, some vapours may be given off which could set off smoke alarms in the vicinity. These vapours are quite normal with new appliances. They are totally harmless and will disappear after a few hours use.*

15.1.1 Lighting the burner.

1. If closed, open the isolating valve at the inlet elbow.
2. Depress the control knob and slowly rotate it anticlockwise to the pilot ignition position. A 'click' will be heard as the integral piezo operates. A spark should be seen between the electrode and pilot tip.
3. Turn the control knob clockwise to the 'Off' position. Repeat this operation until a flame appears at the pilot. There may be a delay before the pilot lights due to air

INSTALLER GUIDE

being purged from the system. When a flame appears at the pilot keep the control knob depressed and hold the pilot ignition position for five seconds. When the control knob is released the pilot flame should remain lit.

15.1.2 Operating the burner.

1. When the pilot burner is operating properly, gradually turn the control knob anti-clockwise to 'HIGH' (Depress the knob slightly to get past the pilot ignition position). The main burner should now light. Depress the control knob slightly to release from the 'HIGH' position and turn back (clockwise) to 'LOW'. While turning, the burner flames should gradually become lower but remain alight. Depress the control knob slightly to release from the 'LOW' position and turn back (clockwise) to the Pilot ignition position.

The main burner should extinguish but the pilot should remain alight. Depress the control knob slightly and turn back (clockwise) to turn OFF.

This will extinguish the pilot.

If the above checks are satisfactory, continue with the installation. If not, check the control and ignition circuitry and components as described in the servicing section of this guide.

While cooling the ceramic fuel effect may make some crackling noises. This is quite normal.

15.2 Check for spillage.

A spillage check must be made before leaving the installed appliance with the customer. Make this with all the ceramic fuel effect pieces and the firefront in position

1. Close all doors and windows in the room containing the appliance.
2. Light the appliance and turn the control knob to the 'HIGH' position.
3. Leave the appliance on for five minutes.
4. The smoke match should be placed horizontally into the hotbox at the right hand side (See figure 35).

The installation is satisfactory if the smoke is drawn into the appliance.

If the smoke is not drawn into the appliance leave the appliance alight at the maximum setting for a further ten minutes and then repeat the test. If the smoke is still not drawn into the appliance inspect the sealing to the

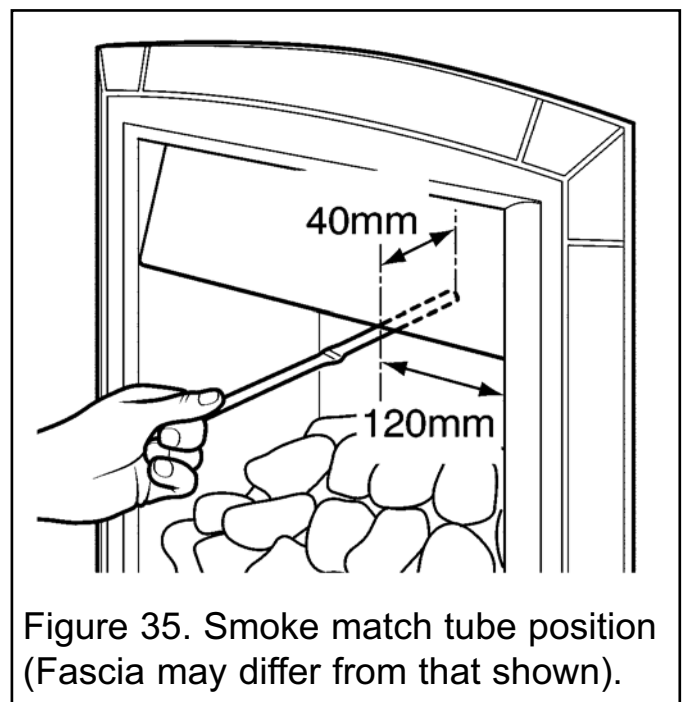


Figure 35. Smoke match tube position (Fascia may differ from that shown).

INSTALLER GUIDE

fireplace surround. If the sealing is satisfactory but the appliance is installed with the flue restrictor (See section 8 point 4) remove the restrictor, reseal the appliance and retest. If smoke is still not drawn into the appliance **disconnect the appliance and seek expert advice.**

5. If the above test is satisfactory open all internal connecting doors, hatches, etc. in the room. Keep all doors and windows that open to the outside of the building closed. Recheck for spillage as above. If an extractor fan is installed in the same room as the appliance or a connecting room, check that spillage does not occur with the fan operating and all doors and other openings between the fan and the appliance open. If the smoke is drawn into the appliance, continue with the installation. If the test is not satisfactory **disconnect the appliance and advise the customer of the cause of failure.**

15.3 Flame supervision and spillage monitoring system.

The pilot unit incorporates a system that will automatically shut off the gas supply if the pilot flame goes out or if there is insufficient oxygen due to spillage or lack of ventilation.

Check that the system operates properly as follows;

- Light the appliance. Set at the "HIGH" position and leave for one minute.
- Turn back to "OFF" to extinguish the pilot. **Note the time when the pilot goes out.** Listen for a snap sound at the gas tap. **Note the time when the sound is heard.** This sound is caused by an electromagnetic valve shutting off the gas supply through the tap. The valve is located in the body of the tap. The valve should operate **within 60 seconds of the pilot going out.** If the valve does not operate within this time limit do not allow the appliance to be used until the fault has been corrected.

This monitoring system must not be adjusted, bypassed or put out of operation.

This monitoring system, or any of its parts, must only be exchanged using Valor Fires authorised parts.

INSTALLER GUIDE

16. FINAL REVIEW

- 1. COMPLETE THE INFORMATION IN THE WARRANTY AND SERVICE SECTION OF THE OWNER GUIDE (See last pages of the OWNER guide).**
- If a gap is visible between the inner sides of the fascia and the ceramic side walls, gently slide the walls forward.
- Visually inspect the appliance. Clean off any marks incurred during installation.
- Advise the customer how to operate the appliance. Point out that lighting instruction details are on the metal plate attached to the burner at the bottom of the appliance. Explain to the customer that the appliance has a flame failure & spillage monitoring system. Point out the explanation of this system shown in the owner guide under "Operating the fire". Advise that if the fire goes out for any reason, wait at least three minutes before relighting. Stress that if the monitoring system repeatedly shuts off the fire, the appliance should be switched off and a specialist should be consulted.
- Advise the customer that they should read their owner guide before operating the fire and always follow the advice in the section headed "Cleaning your fire".
Stress that no extra ceramic fuel effect pieces must be added over and above those supplied with the appliance and that any replacements must only be the authorised spares. Warn that ignoring this advice could cause incomplete clearance of the products of combustion with consequent health hazards. If you have not done so already; attach or place the ceramic fuel effect guide inside this guide.
- Advise the customer that the appliance will operate to its maximum potential if the flue is primed during the first 20 – 30 minutes of use. To do this, simply turn the control knob to its highest setting. This will also burn off any carbon deposits that may have formed during previous use.
If using the appliance for long periods it is beneficial to change between settings. This will also help to remove any carbon deposits that may form during use.
- Recommend that the appliance should be serviced by a competent person at least annually.
- If the appliance is in premises in the United Kingdom occupied by a tenant, point out that by law a landlord must have any gas appliance, flue and pipe work which is situated in a tenant's premises checked for safety at least every 12 months.
- Advise that the fire may give off a slight odour while new. This is quite normal and it will disappear after a short period of use.
- 10. Inform the customer that the Serial number for the appliance is located on the metal plate attached to the burner at the bottom of the appliance underneath the burner module. Removal of the firefront / firefront casting will be required.**
- Hand the literature pack with this guide to the customer.

17. SERVICING & PARTS REPLACEMENT

- **Always turn off the gas supply before commencing any servicing (The appliance inlet elbow incorporates an isolating valve).**
- **It is recommended that, at least once a year, the appliance is disconnected and the fireplace opening checked and cleared of any debris.**
- **This product uses fuel effect pieces and burner compartment walls containing Refractory Ceramic Fibres (RCF), which are man-made vitreous silicate fibres. Excessive exposure to these materials may cause irritation to eyes, skin and respiratory tract. Consequently, it is important to take care when handling these articles to ensure that the release of dust is kept to a minimum. To ensure that the release of fibres from these RCF articles is kept to a minimum, during installation and servicing we recommend that you use a HEPA filtered vacuum to remove any dust and soot accumulated in and around the fire before and after working on the fire. When replacing these articles we recommend that the replaced items are not broken up, but are sealed within a heavy duty polythene bag, clearly labelled as RCF waste. RCF waste is classed as a stable, non-reactive hazardous waste and may be disposed at a landfill licensed to accept such waste. Protective clothing is not required when handling these articles, but we recommend you follow the normal hygiene rules of not smoking, eating or drinking in the work area and always wash your hands before eating or drinking.**
- **This appliance does not contain any component manufactured from asbestos or asbestos related products.**
- **Check that the appliance is clean and that soot or debris is not blocking the gaps between the ceramic fuel effect pieces causing an imperfect flame.**
- **Check that soot or debris is not impairing the electrode spark or pilot burner.**
- **Check that soot or debris is not blocking any of the slots in the main burner.**
- **After servicing, make sure that the ceramic walls are replaced correctly as described in this guide and the ceramic fuel effect pieces are replaced correctly as described in the installer and owner guide supplied with the ceramic fuel effect. The ceramic fuel effect guide may have been placed inside or attached to this guide.**
- **Always test for gas soundness and spillage after servicing the appliance.**

INSTALLER GUIDE

17.1 Checking the aeration setting of the burner.

1. The aeration shutter is factory set and should not require adjustment. If the shutter is not as shown in figure 36 and requires adjustment, loosen the two aeration shutter screws, slide the aeration shutter to the position shown in figure 36 and tighten the fixing screws.

17.2 To remove the Westminster and Bolero fascia.

1. Remove the bottom front cover and the fire front casting.
2. Remove the two screws securing the bottom of the fascia to the sides of the hotbox (See figure 37). On the Bolero there are also two washers.
3. Carefully lift the fascia upward to clear the upper retaining brackets on the hotbox - (See figure 38). Pull the fascia clear and place carefully aside.
4. Refit in the reverse order. Make sure that the fascia is properly located over the upper retaining brackets. See section 12 of this manual for detailed fitting instructions.

17.3 To remove the Victorian fascia.

1. Remove the bottom front cover and the fire front casting.
2. Hold the sides of the fascia and lift clear of the support brackets (See figure 38).
3. Refit in the reverse order. Make sure that the fascia is properly located over the upper and lower retaining brackets. See section 12.3 of this manual for detailed fitting instructions.

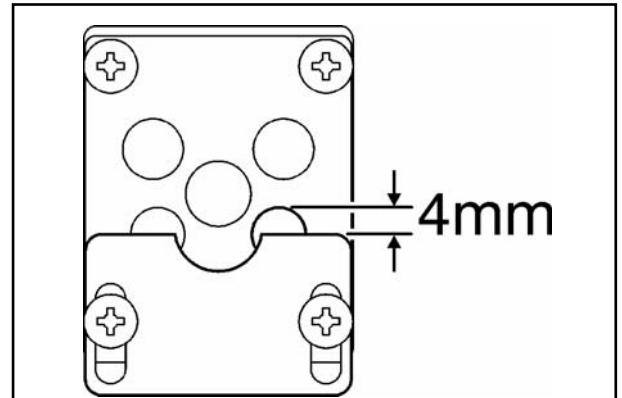


Figure 36. Aeration shutter setting

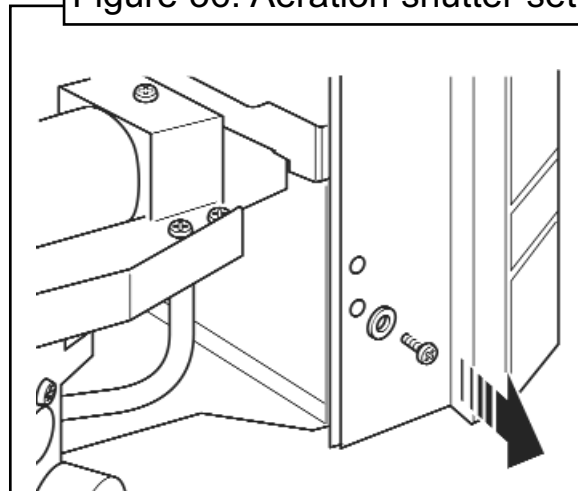


Figure 37. Removing the fascia fixing screws (Shown with Bolero fascia)

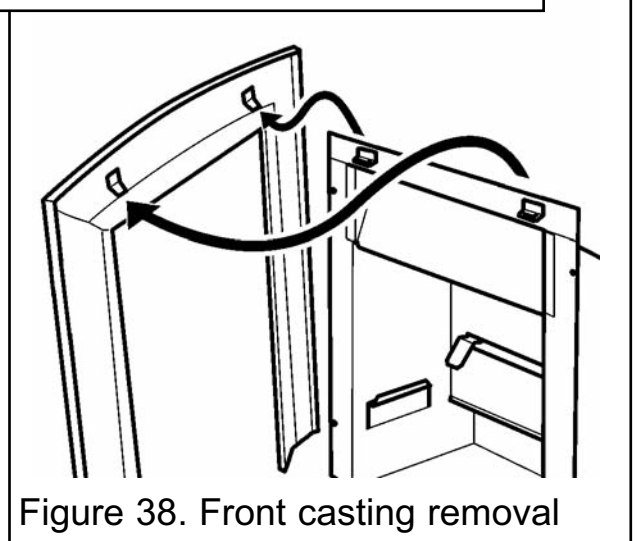


Figure 38. Front casting removal

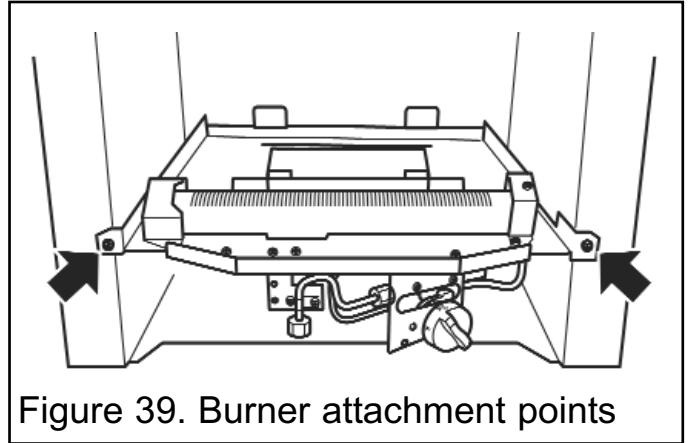
INSTALLER GUIDE

17.4 To remove the Anthem, Blenheim, Camden, Seattle, Prelude, Minima and Sonnet fascia.

1. The fascia is held in place with magnets. Remove the top section first.
2. Replace in the reverse order (See section 12.4).

17.5 To remove the complete burner unit.

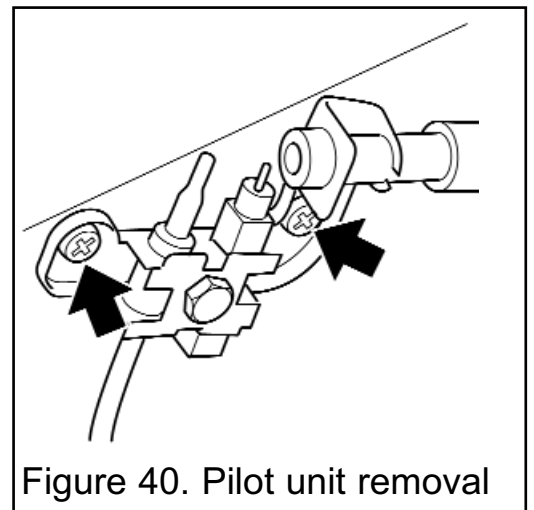
1. Remove the lower firefront / firefront casting and the fascia (See section 17.2 - 17.4).
2. Remove the ceramic fuel effect.
3. Support the inlet elbow to avoid straining the pipework and disconnect the appliance from the elbow.
4. Detach the burner unit from the hotbox by removing two screws (See figure 39).
5. Replace in the reverse order. The ceramic



fuel effect pieces must be replaced as in the ceramic guides supplied with the ceramics. The ceramic guide may have been placed inside or attached to this installer and owner guide.

17.6 To remove the pilot unit.

1. Remove the burner unit (See section 17.5).
2. Detach the pilot pipe from the pilot unit.
3. Detach the thermocouple from the gas valve.
4. Detach the electrode lead from the underside of the electrode tab.
5. Remove the two screws securing the pilot unit (See figure 40).
6. Refit in the reverse order.



Note: The pilot unit is an atmosphere sensing device. It must be replaced as a whole assembly. Its individual components are not separately replaceable.

INSTALLER GUIDE

17.7 To remove the gas valve.

(See figure 41).

1. Remove the burner unit (See section 17.5).
2. If lying the burner on its back, ensure that the work surface is suitably protected. This will avoid damage to the work surface. Turn the burner unit upside down. Detach the thermocouple from the tap.
3. Detach the pilot pipe from the tap.
4. Detach the inlet pipe.
5. Detach the injector pipe
6. Detach the electrode lead from the base of the electrode
7. Remove the control knob by pulling forward.
8. Remove the thermocouple by unscrewing the thermocouple nut at the gas valve.
9. Remove the hexagonal nut securing the gas valve to the mounting bracket.
10. Remove the gas valve
11. Refit in the reverse order.

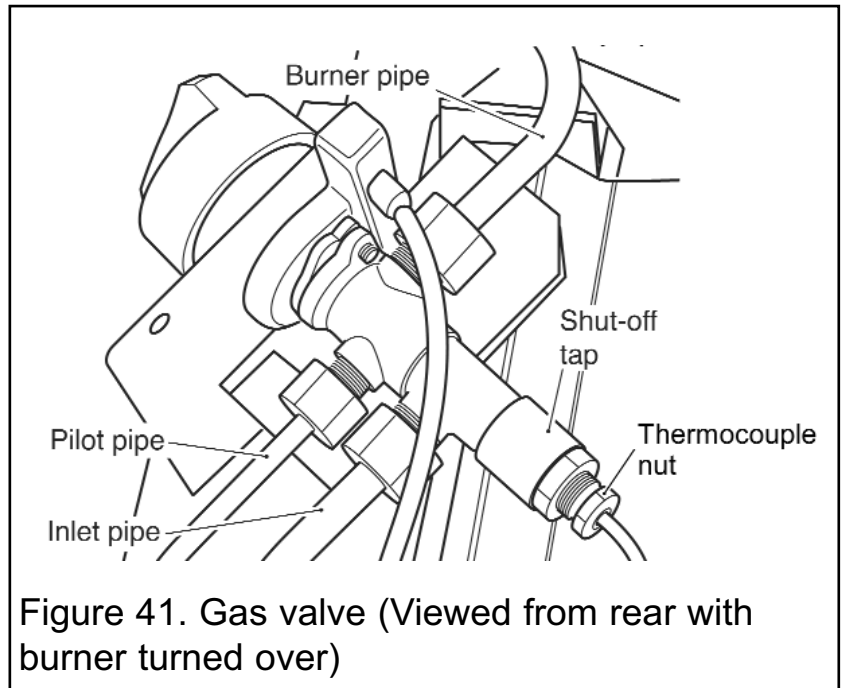


Figure 41. Gas valve (Viewed from rear with burner turned over)

17.8 To remove the piezo generator.

1. Remove the gas tap as section 17.7.
2. Make sure that the tap is in the off position.
3. Remove the circlip holding the piezo unit to the tap. Remove the piezo unit.
4. Replace in the reverse order.

17.9 To grease the control tap.

1. Detach the tap and remove the piezo generator as section 17.8 making sure that the tap is in the off position.
2. Remove the two screws from the head of the tap. Remove the niting head and spindle complete with collar and spring.
3. Note the position of the slot in the plug-mark its position on the tap body.
4. Remove the plug rotating slightly while pulling.
5. Clean and grease the plug lightly with suitable grease. Do not apply excessive grease. Particularly, make sure that the gas ports in the tap are not restricted by grease.
6. Push the plug into the tap body and position the slot in line with the mark previously made on the tap body.
7. Reassemble the niting head and spindle complete with collar and spring making sure that the components are correctly engaged. Check the operation of the tap.
8. Refit the piezo generator.

INSTALLER GUIDE

17.10 To replace the burner.

(See figure 42).

1. Remove the burner unit (See section 17.5).
2. Support the elbow injector and unscrew the injector nut.
3. Remove the two screws from the burner clamping plate (See figure 42)
4. Lift the right hand side of the burner, slide it to the right and lift clear
5. Refit in reverse order.

17.11 To remove the main burner injector.

(See figure 43).

1. Remove the burner (See section 17.8).
2. Remove the burner clamping screw (See figure 43)
3. Unscrew the injector from the burner
4. Refit in the reverse order.

17.12 To remove the appliance from the fireplace.

1. Remove the burner unit - See section 17.5.
2. If the fire retention is as method 1 (See section 9.1 of installation instructions), remove the screws. If the fire retention is as method 2 (See section 9.2 of this guide), slacken the hexagonal adjusters on the cable adjusters and unscrew the thumb screw to release the cables.

3. Refit as described in the relevant installation sections. Make sure gas soundness, sealing, spillage test and performance are satisfactory.

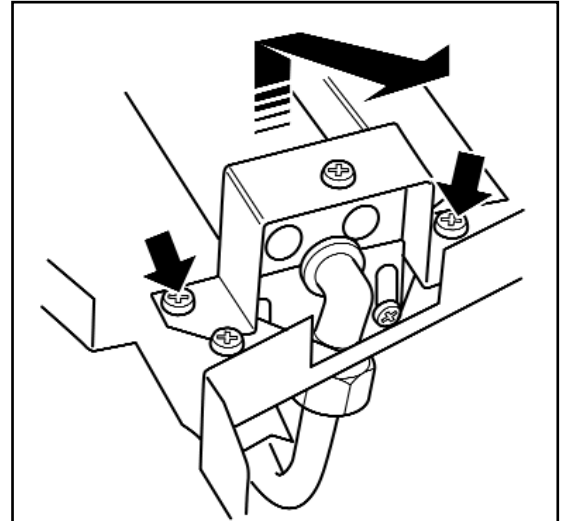


Figure 42. Removal of burner

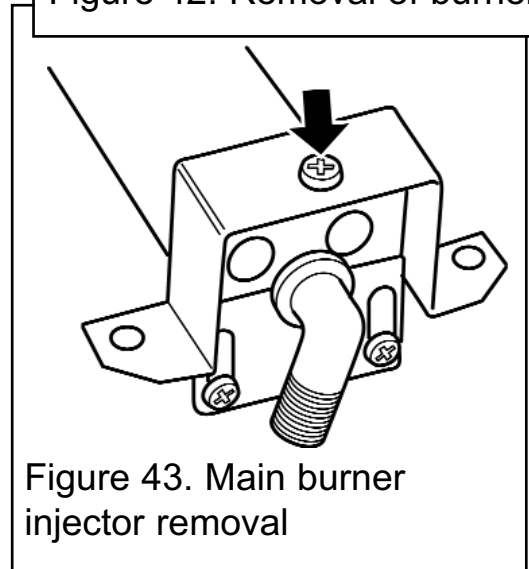


Figure 43. Main burner injector removal

OWNER GUIDE

FOR WARRANTY AND SERVICE INFORMATION
SEE PAGES 54 TO 59

OWNER GUIDE

CONTENTS

<u>Section</u>	<u>Page</u>
SAFETY	47
GAS CONSUMPTION	48
APPLIANCE DIMENSIONS	49
OPERATING YOUR FIRE	50
The Oxysafe flame sensing & flue blockage safety system.	50
To light the fire.	50
Lighting with a taper.	51
CLEANING YOUR FIRE	52
Metal parts.	52
Ceramic fuel effect pieces and burner compartment walls.	52
Burner.	52
CERAMIC FUEL EFFECT FITTING	53
MAINTENANCE	53
WARRANTY AND SERVICE	54

This gas fire is designed to meet the most stringent quality, performance and safety requirements to provide you with many years' trouble-free service.

This guide aims to improve your understanding and appreciation of your gas fire by providing simple and informative instructions to ensure that you benefit from the excellent performance and features it has to offer.

OWNER GUIDE

SAFETY

IF YOU SMELL GAS

- **DON'T SMOKE.**
- **EXTINGUISH ALL NAKED FLAMES.**
- **DON'T TURN ELECTRICAL SWITCHES ON OR OFF.**
- **TURN OFF THE GAS SUPPLY AT THE METER OR TANK AS APPROPRIATE.**
- **OPEN DOORS AND WINDOWS TO GET RID OF THE GAS.**
- **IMMEDIATELY CALL THE GAS EMERGENCY SERVICE FROM A NEIGHBOURS PHONE - SEE YOUR LOCAL TELEPHONE DIRECTORY.**

Do have the fire installed by a competent person. In the United Kingdom, installation must be in accordance with the latest edition of the Gas Safety (installation & use) Regulations. In the Republic of Ireland, installation must be in accordance with all national and local regulations in force.

Do have the chimney swept prior to installation if it was previously used for solid fuel.

Do have the fire installed in accordance with the installer guide.

Do provide a minimum clearance as shown in figure 1 above the base of the hotbox to any shelf made of wood or other combustible material.

• *For a shelf up to 150mm deep: Minimum height = 760mm.*

• *For a shelf deeper than 150mm: 760mm + 12.5mm for every 25mm depth over 150mm (See Figure 1).*

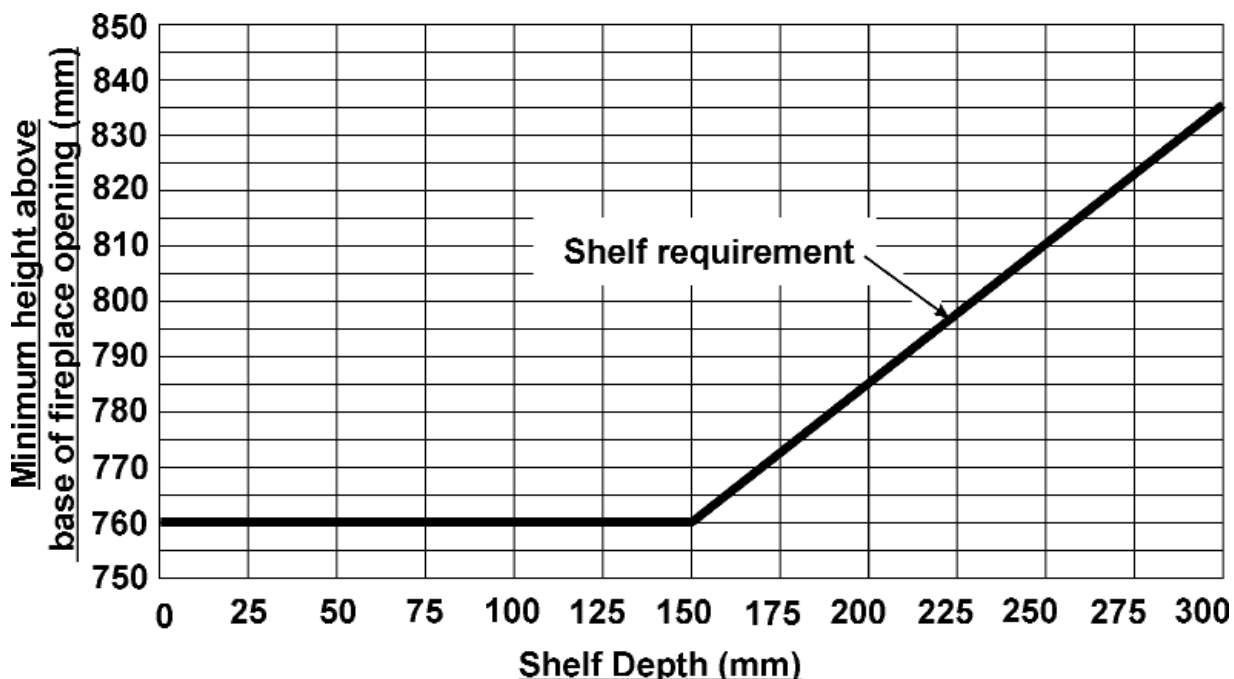


Figure 1. Combustible shelf clearances.

OWNER GUIDE

Do provide a suitable guard that complies with BS 8423 for the protection of young children, the elderly and the infirm. Such a guard is also recommended for the protection of pet animals. (Although this fire conforms to all the applicable standards, it is a heating appliance and certain parts of its surface will become hot).

Do wait three minutes before attempting to relight if the fire is switched off or the flames are extinguished for any reason. (Your fire is fitted with a safety device that will automatically shut off the gas supply to the fire if, for any reason, the flames go out).

Do get advice about the suitability of any wall covering near your fire. Soft wall coverings (e.g. embossed vinyl, etc.) which have a raised pattern are easily affected by heat. They may, therefore, scorch or become discoloured when close to a heating appliance. Please bear this in mind whenever you are considering redecorating.

Do provide a minimum side clearance as detailed in figure 2. Please bear this in mind if ever you are considering altering the room.

Don't hang clothing, towels or any other fabrics over the fire.

Don't add any extra fuel effect pieces above the number stated in the installer and owner guide supplied with the ceramics. This may have been placed inside or attached to this guide. Also, do not use any ceramic fuel effect pieces other than those authorised for this fire. This could cause incomplete combustion and subsequent safety hazard.

Don't put paper or any other material on the fire.

Don't place any combustible material (rugs, carpet, plastic tiles, etc.) on the hearth.

Don't attempt to clean or service the fire until it has been switched off and allowed to cool completely.

GAS CONSUMPTION

Model 941

Has a maximum natural gas input of 6.8kW (Gross)

Has a maximum natural gas output of 3.5kW

Has a minimum natural gas input of 2.3kW (Gross)

Has a minimum natural gas output of 0.90kW

Model 941 when converted using kit number 0595211

Has a maximum propane gas input of 6.7kW (Gross)

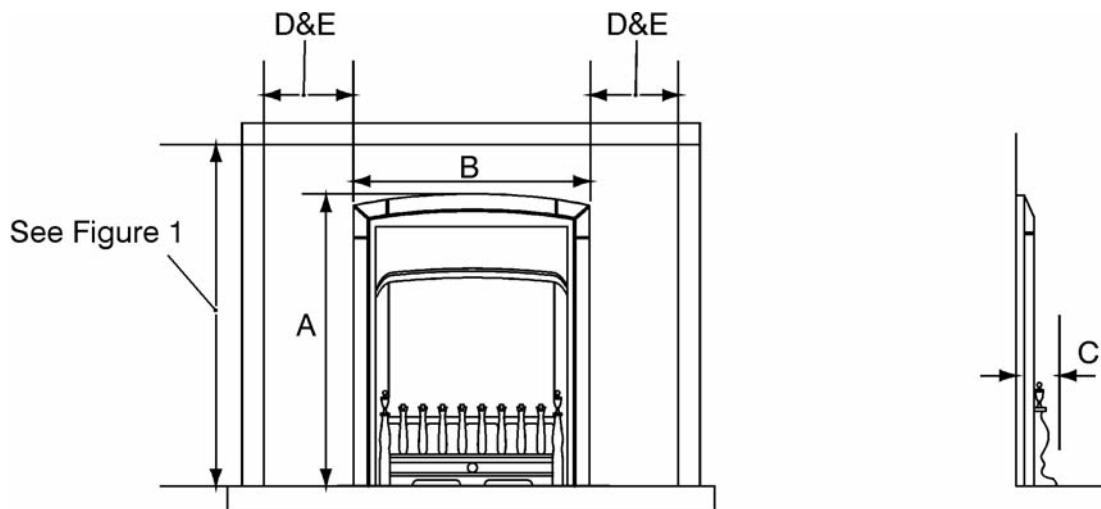
Has a maximum propane gas output of 3.7kW

Has a minimum propane gas input of 4.0kW (Gross)

Has a minimum propane gas output of 2.1kW

OWNER GUIDE

APPLIANCE DIMENSIONS



Model	Key				
	A Height (mm)	B Width (mm)	C Depth into room (mm)	D Minimum mandatory clearance to combustible surfaces projecting beyond the front of appliance (mm).	E Recommended clearance to non- combustible surfaces for access purposes (mm).
Blenheim & Sonnet	599	492	65	125	10
Anthem, Camden & Seattle	599	492	71	125	10
Prelude	599	492	76	125	10
Minima	599	492	75	125	10
Bolero	636	518	94	100	10
Westminster	605	500	50	100	10
Victorian	612	515	70	100	10

Figure 2. Appliance dimensions and clearances (Dimensions are subject to manufacturing deviation. Fascia may differ from that shown).

OWNER GUIDE

OPERATING YOUR FIRE

PLEASE NOTE

When operating your fire for the first time, some vapours may be given off which may cause a slight odour and could possibly set off any smoke alarms in the immediate vicinity. These vapours are quite normal with new appliances. They are totally harmless and will disappear after a few hours use.

The Oxysafe flame sensing & flue blockage safety system.

For your safety, this appliance is fitted with a flue blockage safety device which will shut down the appliance in the event of abnormal flue conditions. This device is NOT a substitute for an independently mounted Carbon Monoxide detector.

The device will also automatically shut off the gas supply to the fire if the pilot flame goes out due to lack of oxygen or for any other reason.

If this device starts to repeatedly shut off the gas, get expert advice.

This device incorporates a probe which senses that the heat from the pilot flame is correct. If this probe is cool, the device will prevent any gas flow unless the control knob is held in at the ignition position.

If, for any reason, the flames go out when the fire is hot or if the fire is turned off when hot, always **wait at least three minutes before attempting to relight.**

To light the fire.

Depress the control knob and rotate it **slowly** anticlockwise to the pilot ignition position. A 'click' will be heard as the integral piezo operates. A flame should appear at the pilot. Keep the control knob depressed and hold the pilot ignition position for five seconds. When the control knob is released the pilot flame should remain lit. If a flame does not appear at the pilot then turn the control knob clockwise to the 'OFF' position and repeat the above.

When the pilot burner is operating properly, gradually turn the control knob anti-clockwise to 'HIGH' position. (Depress the knob slightly to get past the pilot ignition position). The main burner should now light.

Depress the control knob slightly to release from the 'HIGH' position and turn back (clockwise) to 'LOW'. While turning, the burner flames should gradually become lower but remain alight. Depress the control knob slightly to release from the 'LOW' position and turn back (clockwise) to the Pilot ignition position. The main burner should extinguish but the pilot should remain alight. Depress the control knob slightly and turn back (clockwise) to turn OFF. This will extinguish the pilot.

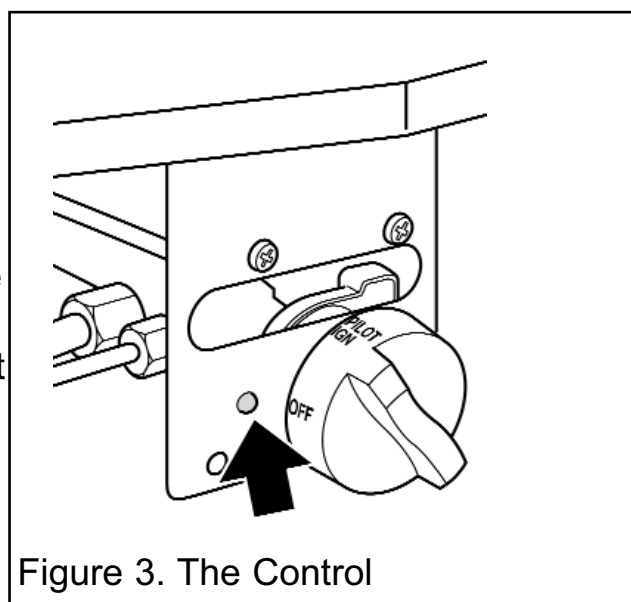


Figure 3. The Control

OWNER GUIDE

While cooling, the ceramic fuel effects may make some crackling noises. This is quite normal.

- Note**
- i) If the flames go out while setting the control, repeat the full lighting procedure. If the flames repeatedly go out have the fire serviced.
 - ii) Please note. When first turned on the flames will appear predominantly blue. The fuel effect pieces will take time to warm up. Although some glow will be seen after approximately ten minutes, the full visual effect will only be apparent after a somewhat longer time.
 - iii) The appliance will operate to its maximum potential if the flue is primed during the first 20 – 30 minutes of operation. To do this, simply slide the control button to its highest setting. This will also burn off any carbon deposits that may have formed during previous operations.
 - iv) If operating the appliance for long periods it is beneficial occasionally to change the settings. This will also help to remove any carbon deposits that may form during operation.

Lighting with a taper.

(See figure 4).

In the unlikely event of failure of the ignition spark, the pilot can be lit by a taper or long spill.

- Turn the control knob to the 'Pilot ignition' position
- Insert the taper or spill between the second and third left hand ceramic fuel effect pieces on the first row
- Depress the control knob. A flame should appear at the pilot.
- Remove the taper and keep the control depressed for 5 seconds.
- Release the control knob and the pilot flame should remain alight. If it does not, repeat the above.
- Turn the control knob to the required setting.

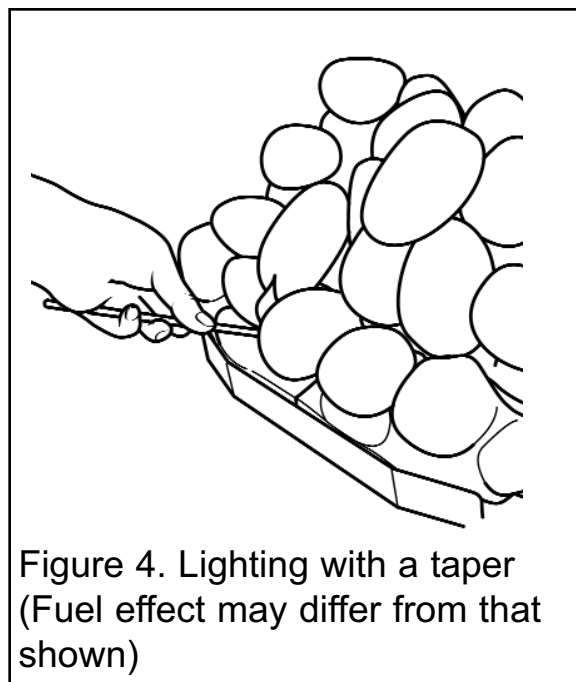


Figure 4. Lighting with a taper
(Fuel effect may differ from that shown)

OWNER GUIDE

CLEANING YOUR FIRE

To maintain the high performance and quality finish of your fire please follow these guidelines:

Before attempting to clean the fire, please remember to turn off the fire and wait for the appliance to cool. The fire will retain heat for some time before cleaning can begin.

If any pieces of debris are found in the firebox, have the chimney inspected before further use.

Metal parts.

- Clean the metal parts with a slightly damp cloth and then dry.
- Do not use abrasive cleaners as these will scratch the fire surface.
- **Camden, Seattle, Minima and Anthem fascia** - Clean the metal parts with a slightly damp cloth and then dry. If this does not work apply a very small amount of 'baby oil' to a lint free, non-abrasive cloth and wipe over the surface. Use a clean cloth to wipe off the oil.

Ceramic fuel effect pieces and burner compartment walls.

This product uses fuel effect pieces and burner compartment walls containing Refractory Ceramic Fibres (RCF), which are man-made vitreous silicate fibres. Excessive exposure to this material may cause irritation to eyes, skin and respiratory tract. Consequently, it is important to take care when handling these articles to ensure that the release of dust is kept to a minimum.

- Light coatings of soot will usually be burnt off during the normal operation of the fire. Should any soot accumulation become excessive, the fuel effect pieces and walls should be removed from the fire for cleaning.
- Cleaning should be carried out in a well ventilated area or in the open air by gently brushing with the pieces held away from your face so that you avoid inhaling the dust.
- We do not recommend the use of a normal domestic vacuum cleaner which may blow dust back into the air.
- We suggest that you remove the ceramic fuel effect pieces in the reverse order to that shown in the ceramic fuel effect installer and owner guide.

Burner.

Remove any deposits of soot or other foreign matter from the surface of the burner with a dry soft brush. Be careful not to brush any particles into the open slots.

Remove any particles from the slots with a vacuum cleaner fitted with a soft brush attachment. **Do not poke wire, etc. into the slots in the burner.**

OWNER GUIDE

CERAMIC FUEL EFFECT FITTING

The installer and owner guide for the ceramic fuel effect is separate from this guide. The installer may have attached it to this guide or placed it inside. It is important that the installer and owner guide for the ceramic fuel effect is followed correctly. If replacing the ceramic fuel effect, where a new guide is supplied, follow the installer and owner guide supplied with the replacement fuel effect.

Keep the replacement installer and owner guide with this owner guide for future reference.

MAINTENANCE

Regular maintenance.

In order to achieve and maintain high levels of personal safety and performance efficiency, it is essential that the opening at the back of the fire and the flue are kept clear of any form of obstruction. It is possible that deposits of mortar or soot could fall and accumulate causing the flue to be blocked or restricted and so preventing proper clearance of dangerous exhaust fumes.

In the United Kingdom it is the law that a landlord must have any gas appliance, flue and pipework which is situated in a tenant's premises checked for safety at least every twelve months by a competent person (In the UK a GAS SAFE REGISTER engineer, Outside of the UK a CORGI or GAS SAFE REGISTER engineer).

We recommend that all gas appliances and their flues, wherever situated, are checked annually.

- **When fitting replacement parts it is important that only approved parts are used for maximum safety.**

Standard Warranty Terms & Conditions

The warranty is for 12 months subject to contract.

In the United Kingdom servicing can be carried out either by a **heateam** service engineer or a **GAS SAFE REGISTER** engineer. Outside of the United Kingdom servicing can be carried out either by a **CORGI** or **GAS SAFE REGISTER** engineer. You must register your fire with **heateam**, the service division of Baxi Heating UK Limited, either by completing and returning the registration card or calling our free telephone registration line on **0800 032 72 44**.

It is also a requirement of the warranty that the fire has an annual service (every 12 months) in accordance with the installation and servicing instructions, performed by a **GAS SAFE REGISTER** engineer, (**CORGI** or **GAS SAFE REGISTER** outside of UK), please call on **0844 8711 525**.

Our promise to you

If you experience a fault with your new fire, we aim to provide a safe and high quality repair service supported by our dedicated national network of highly skilled engineers. If your installer can't resolve the problem for you, we will do everything we can to get an engineer out to you as quickly as possible. Nothing in this warranty will affect your statutory rights.

What you need to do if you experience a problem with the operation of the fire:

- You should always contact your installer first, because the cause of the fault may not be related to the fire.
- If your installer confirms that the fault is with the fire and they can't repair it, our friendly customer service team is on hand to help.
- Simply call our service division **heateam** on **0844 8711 565** to book an engineer visit or for any general advice that you may need. Our contact centre is open Monday to Friday 8am – 6pm, weekends and Bank Holidays 8.30am – 2pm, excluding Christmas Day and New Years day.

OWNER GUIDE

When calling **heateam**, it would be helpful if you could have the following information to hand:-

1. Fire serial number and fascia code (Located on the information label - See figure 5 on page 59)*.
2. Date of installation*.
3. Your installer name and address details*.
4. Fire make and model number*.
5. Proof of purchase (if you do not have the fire serial number).

***Note: Details 1 – 4 should be recorded on pages 58 & 59 at the end of this guide.**

What this warranty covers

Free of charge repair or replacement of components found to be of faulty manufacture.

Free of charge replacement of the complete unit providing the failure is related to a manufacturing fault that cannot be repaired or is uneconomic to repair.

What this warranty does not cover

Repairs to fires which haven't been installed and commissioned properly and as set out in the installation instructions.

Faults caused by inadequate supply of gas or electricity (where applicable).

Reimbursement of any third party repair or replacement costs that we haven't been told about or agreed with you in advance.

Compensation or consequential losses (e.g. loss of earnings, business losses, stress and inconvenience) arising from a production breakdown, including repair delays caused by factors outside our reasonable control.

OWNER GUIDE

OWNER GUIDE

To be completed by Installer:

Installer Details (Block Capitals)

Installer Name	
Gas Safe Register or Corgi Registration Number.	
Company Name.	
Company Address	
Company Telephone number	
Company Fax number	

OWNER GUIDE

Model

Serial number (Can be found on the information label - See figure 5)

A LABEL CONTAINING THE SERIAL NUMBER MAY HAVE BEEN PLACED INSIDE THIS BOX.

Fascia name (Block Capitals)

Fascia code - Can be found close to the information label (Block Capitals)

A LABEL CONTAINING THE FASCIA CODE MAY HAVE BEEN PLACED INSIDE THIS BOX.

Brand (Please tick)

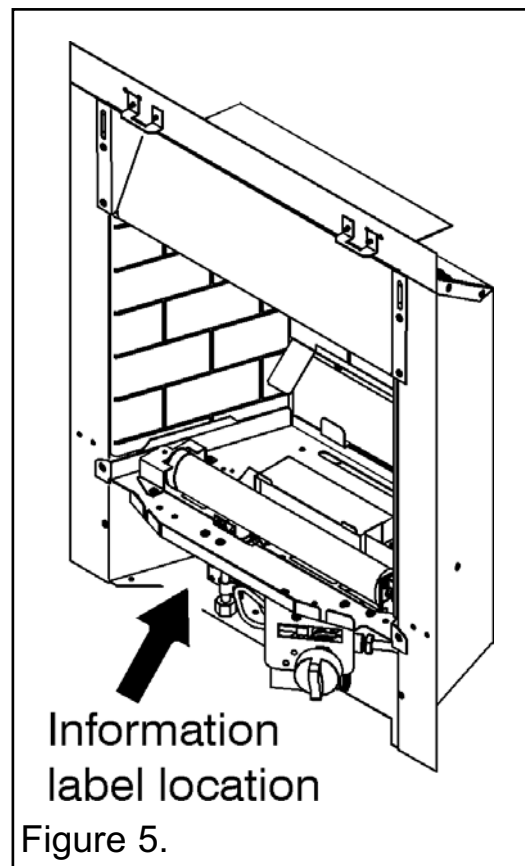
Baxi

Valor

Wonderfire Other.....

Date of Installation

D D M M Y Y



VALOR FIRES